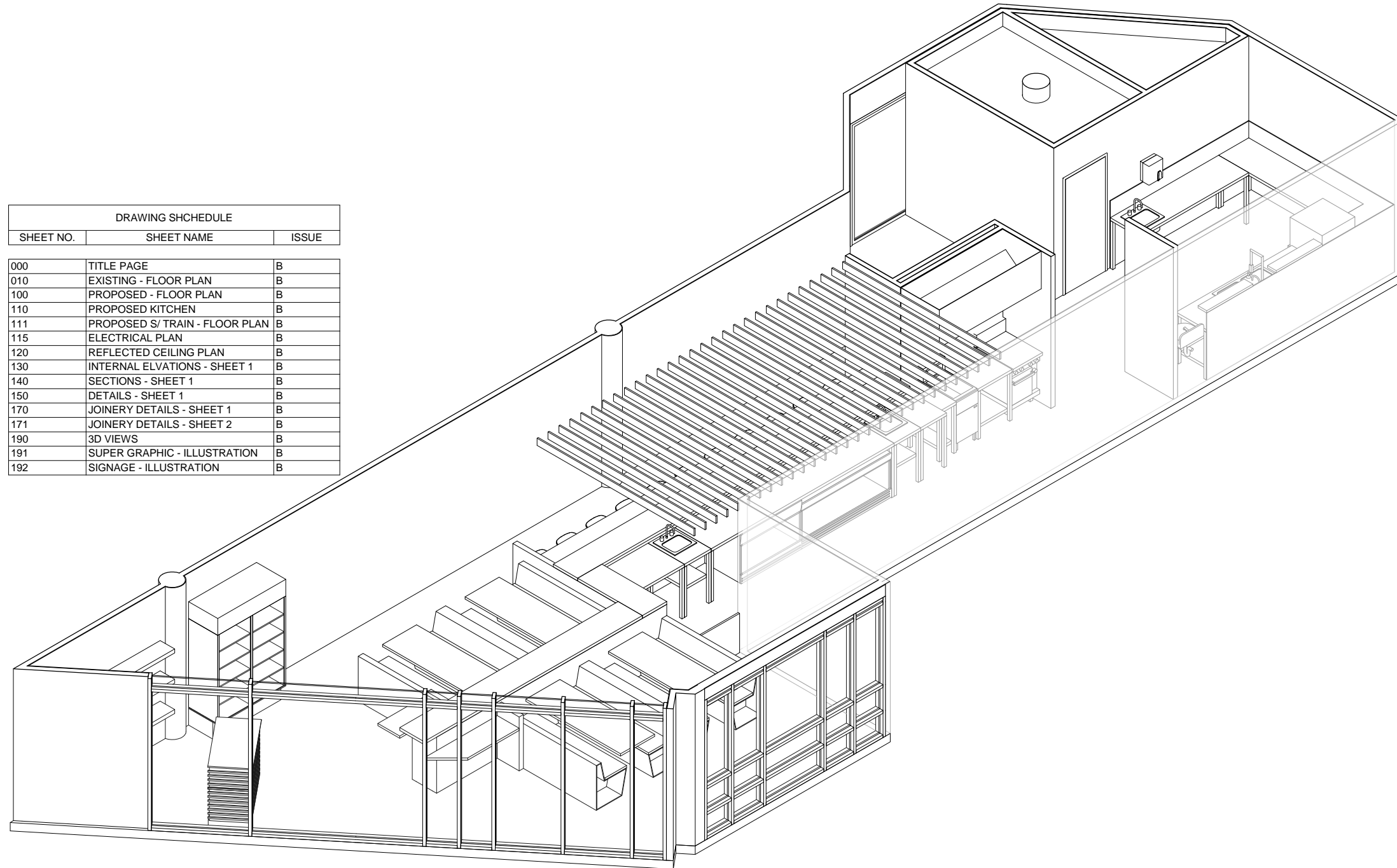


# SUSHI TRAIN: DESIGN PACKAGE

ARCHITECTURAL FIT-OUT PACKAGE



DRAWING SHCHEDULE		
SHEET NO.	SHEET NAME	ISSUE
000	TITLE PAGE	B
010	EXISTING - FLOOR PLAN	B
100	PROPOSED - FLOOR PLAN	B
110	PROPOSED KITCHEN	B
111	PROPOSED S/ TRAIN - FLOOR PLAN	B
115	ELECTRICAL PLAN	B
120	REFLECTED CEILING PLAN	B
130	INTERNAL ELVATIONS - SHEET 1	B
140	SECTIONS - SHEET 1	B
150	DETAILS - SHEET 1	B
170	JOINERY DETAILS - SHEET 1	B
171	JOINERY DETAILS - SHEET 2	B
190	3D VIEWS	B
191	SUPER GRAPHIC - ILLUSTRATION	B
192	SIGNAGE - ILLUSTRATION	B

APPROVED DESIGN

**PROJECTS** **DESIGN+CONSTRUCT**

**COPYRIGHT**  
ALL RIGHTS RESERVED. THIS WORK IS COPYRIGHT AND CANNOT BE REPRODUCED OR COPIED BY ANY MEANS WITHOUT THE WRITTEN PERMISSION OF Y-ENTERPRISES PTY LTD. ANY VARIANCE, EXPRESS OR IMPLIED, TO USE THIS DOCUMENT FOR ANY PURPOSE WHATSOEVER IS RESTRICTED TO THE TERMS OF THE AGREEMENT BETWEEN Y-ENTERPRISES PTY LTD AND THE INSTRUCTING PARTY.

**GENERAL NOTES**  
USE FIGURED DIMENSIONS IN PREFERENCE TO SCALED.  
BUILDER TO CHECK ALL DIMENSIONS ON SITE PRIOR TO FABRICATION AND BEFORE SET-OUT.  
REFER ANY DISCREPANCIES TO THE ARCHITECT.

CLIENT  
**NUNDAH WELLNESS CENTRE**

PROJECT LOCATION  
**1220 SANDGATE ROAD, NUNDAH**

**Y-ENTERPRISES**  
Y-Enterprises Pty Ltd  
true BIM | architecture | commercial | residential

P: (07) 38441401 ACN: 160 879 747  
W: www.y-enterprises.com ADR: 85 Victoria St West End  
E: info@y-enterprises.com 4101, QLD Australia

Copyright © 2012 Y-Enterprises PTY LTD / All Rights Reserved

PROJECT TITLE  
**SUSHI TRAIN - FIT-OUT**

DRAWING TITLE  
**TITLE PAGE**

DATE 19/01/14 PROJECT NO. 1009  
SCALE DRAWING NO. 000  
DRAWN K.LINDERBOOM ISSUE B

REV	DATE	DRAWN	REV'D	APP'D	REVISION
01	23.12.13	PVS	KL	PVS	DESIGN REVIEW - ISSUE A
01	19.01.14	KL	PVS	KL	APPROVED DESIGN - ISSUE B
02	23.01.14	KL	PVS	KL	APPROVED DESIGN - ISSUE B
03	28.01.14	KL	PVS	KL	APPROVED DESIGN - ISSUE B

000

ISSUE B

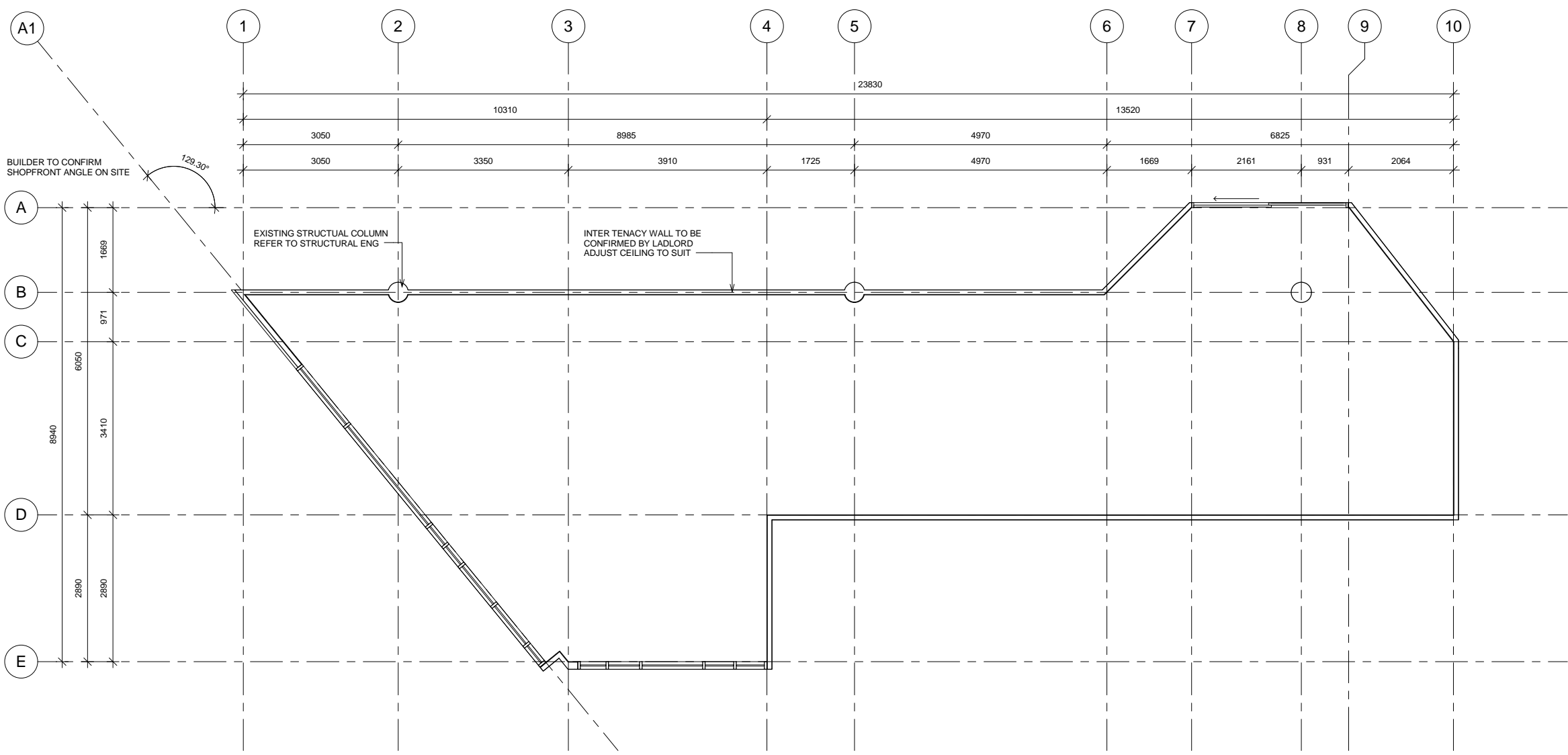
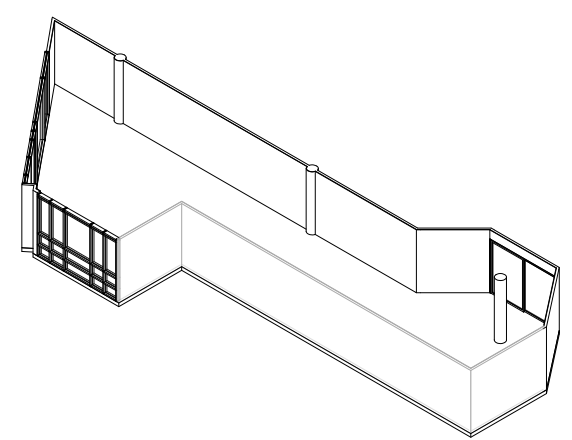
30/01/2014 9:56:30 AM

COPYRIGHT G & K PROJECTS PTY LTD.  
 THIS DRAWING IS THE PROPERTY OF G & K PROJECTS PTY LTD. COPYRIGHT IS RESERVED BY THEM AND THE DRAWING ISSUED ON THE CONDITION IT IS NOT COPIED, REPRODUCED, RETAINED OR DISCLOSED TO ANY UNAUTHORISED PERSON OR COMPANY, EITHER WHOLLY OR IN PART WITHOUT THE CONSENT IN WRITING OF G & K PROJECTS PTY LTD. THE USE OF THIS DRAWING FOR CONSTRUCTION WITHOUT THE ABOVE CONSENT IS AN OFFENCE AND LEGAL ACTION WILL / COULD BE TAKEN SHOULD THIS TAKE PLACE.

- NOTES:
- BUILDER TO CHECK ALL DIMENSIONS ON SITE
  - REFER TO STRUCTURAL ENG FOR LOAD BEARING WALL SIZES AND FOUNDATION SIZES (FLOOR SLABS SHOWN INDICATIVELY)
  - REFER TO HYDRAULIC ENG FOR DRAINAGE PLACEMENT
  - ALL PRODUCTS TO MANUFACTURERS SPECIFICATIONS AND INSTALLATION DETAILS
  - BUILDER/ ELECTRICIAN TO CONFIRM LIGHTING LAYOUT AND RELOCATIONS ON SITE
  - BUILDER TO CONFIRM PLACEMENT OF AIR-CONDITIONING DUCTS/ VENTS AND UNITS. CHECK ON SITE
  - REFER TO DOOR MANUFACTURER FOR ALL DOOR DETAILS INCLUDING GLASS/ STEEL FRAME.
  - DOOR SELECTION TO BE CONFIRMED BY CLIENT
  - CONFIRM ALL FINISHES WITH CLIENT
  - BUILDER TO CONFIRM SHOPFRONT ANGLE AND DIMENSIONS ON SITE
  - SPEAKERS AND SECURITY CAMERAS TO BE INSTALLED BY OTHERS

NOTE:- ALL PRODUCTS TO MANUFACTURERS SPECIFICATIONS & INSTALLATION DETAILS

TF_01	R11 - 300 X 600 LIGHT GREY VITRIFIED TILES
TF_02	R10 - 300 X 600 LIGHT GREY VITRIFIED TILES
CB_01	TIMBER FINISH - BENCH
SB	STAINLESS STEEL BENCH - TO MANUFACTURERS DETAILS
PF_01	BLACK LOW SHEEN WALL PAINT FINISH (W/ SUPER GRAPHIC)
PF_02	WHITE LOW SHEEN WALL PAINT FINISH
WT_01	200 X 100 TILES - WHITE SATIN FINISH LAYED IN BOND BRICK FASHION
⊗	SUSHI TRAIN
(RTM)	REFER TO MANUFACTURER



1 EXISTING - FLOOR PLAN  
 1 : 50

APPROVED DESIGN

**G&K PROJECTS**  
 DESIGN CONSTRUCTION  
 COPYRIGHT  
 ALL RIGHTS RESERVED. THIS WORK IS COPYRIGHT AND CANNOT BE REPRODUCED OR COPIED BY ANY MEANS WITHOUT THE WRITTEN PERMISSION OF Y-ENTERPRISES PTY LTD. ANY UNAUTHORIZED REPRODUCTION OR DISSEMINATION OF THIS DOCUMENT FOR ANY PURPOSE WHATSOEVER IS RESTRICTED TO THE TERMS OF THE AGREEMENT BETWEEN Y-ENTERPRISES PTY LTD AND THE INSTRUCTING PARTY.  
 GENERAL NOTES  
 USE FIGURED DIMENSIONS IN PREFERENCE TO SCALED.  
 BUILDER TO CHECK ALL DIMENSIONS ON SITE PRIOR TO FABRICATION AND BEFORE SET-OUT.  
 REFER ANY DISCREPANCIES TO THE ARCHITECT.

CLIENT  
**NUNDAH WELLNESS CENTRE**  
 PROJECT LOCATION  
**1220 SANDGATE ROAD, NUNDAH**

**Y-ENTERPRISES**  
 Y-Enterprises Pty Ltd  
 true BIM | architecture | commercial | residential  
 P: (07) 38441401 ACN: 160 879 747  
 W: www.y-enterprises.com ADR: 85 Victoria St West End  
 E: info@y-enterprises.com 4101, QLD Australia  
 Copyright © 2012 Y-Enterprises PTY LTD / All Rights Reserved

PROJECT TITLE  
**SUSHI TRAIN - FIT-OUT**  
 DRAWING TITLE  
**EXISTING - FLOOR PLAN**  
 DATE 19.01.14 PROJECT NO. 1009  
 SCALE 1:50 DRAWING NO. 010  
 DRAWN K.LINDERBOOM ISSUE B

REV	DATE	DRAWN	REV'D	APP'D	REVISION
01	23.12.13	PVS	KL	PVS	DESIGN REVIEW - ISSUE A
01	19.01.14	KL	PVS	KL	APPROVED DESIGN - ISSUE B
02	23.01.14	KL	PVS	KL	APPROVED DESIGN - ISSUE B
03	28.01.14	KL	PVS	KL	APPROVED DESIGN - ISSUE B

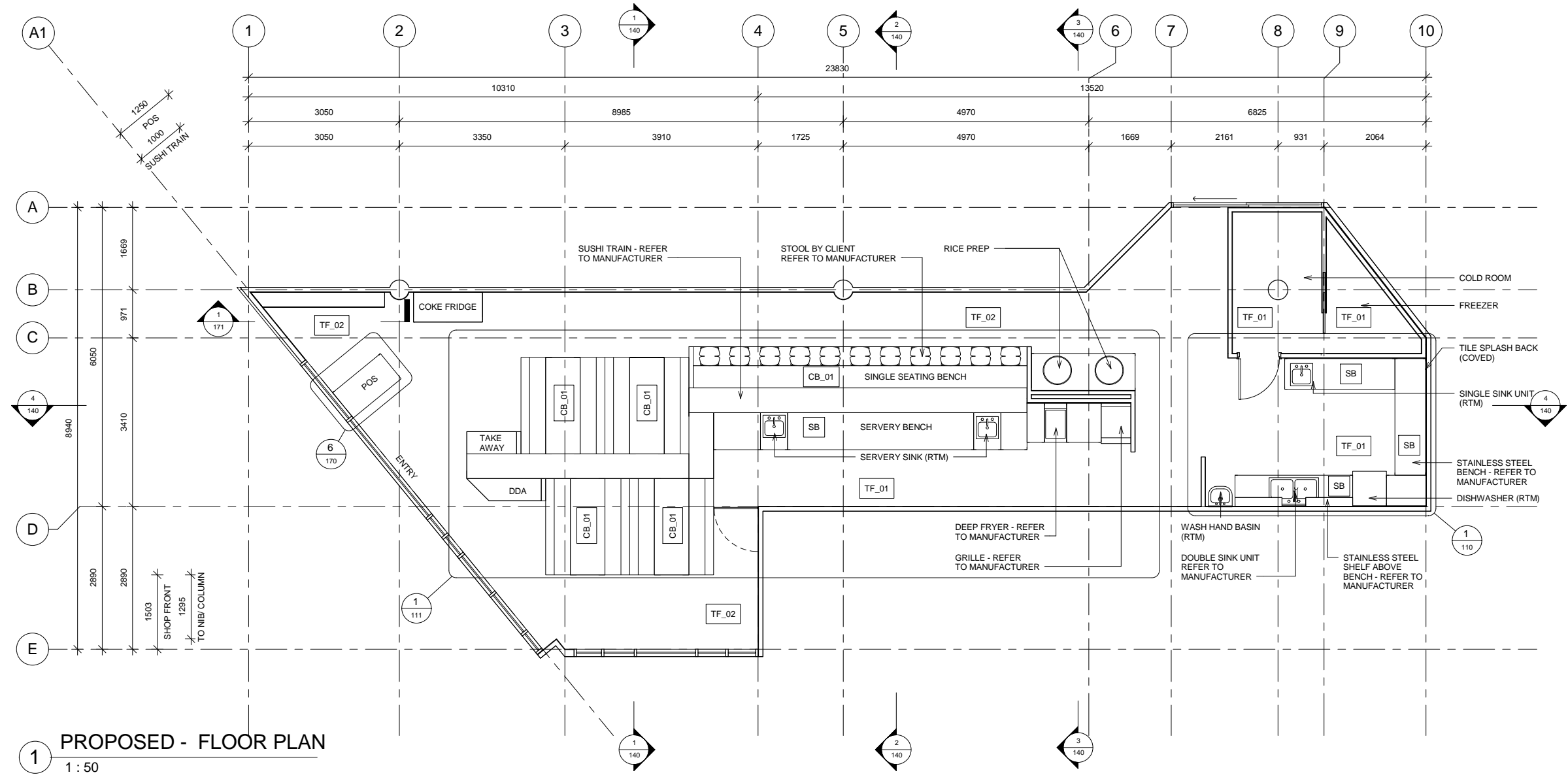
010  
 ISSUE B

30/01/2014 9:56:30 AM

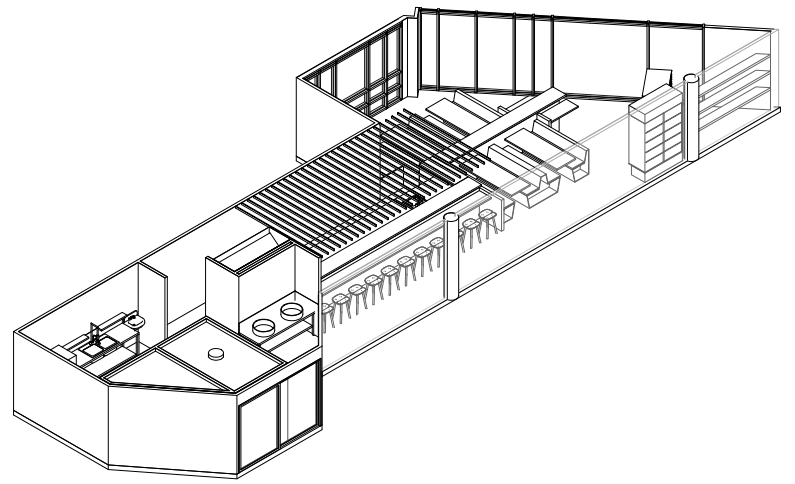
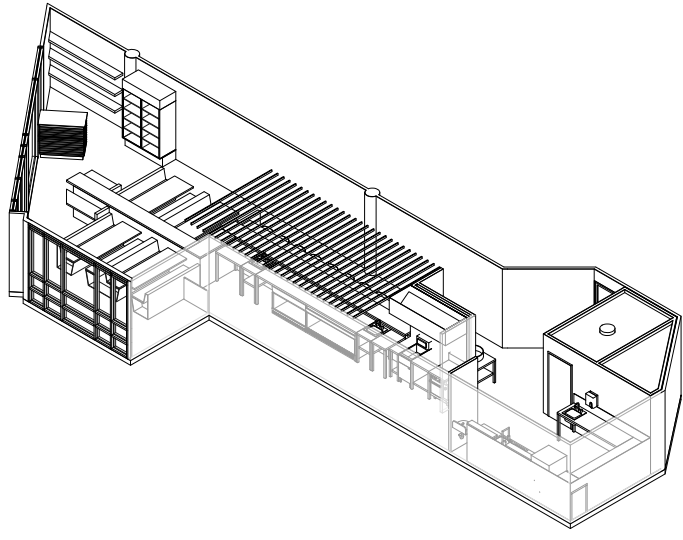
COPYRIGHT G & K PROJECTS PTY LTD:  
 THIS DRAWING IS THE PROPERTY OF G & K PROJECTS PTY LTD. COPYRIGHT IS RESERVED BY THEM AND THE DRAWING ISSUED ON THE CONDITION IT IS NOT COPIED, REPRODUCED, RETAINED OR DISCLOSED TO ANY UNAUTHORISED PERSON OR COMPANY, EITHER WHOLLY OR IN PART WITHOUT THE CONSENT IN WRITING OF G & K PROJECTS PTY LTD. THE USE OF THIS DRAWING FOR CONSTRUCTION WITHOUT THE ABOVE CONSENT IS AN OFFENCE AND LEGAL ACTION WILL / COULD BE TAKEN SHOULD THIS TAKE PLACE.

- NOTES:
- BUILDER TO CHECK ALL DIMENSIONS ON SITE
  - REFER TO STRUCTURAL ENG FOR LOAD BEARING WALL SIZES AND FOUNDATION SIZES (FLOOR SLABS SHOWN INDICATIVELY)
  - REFER TO HYDRAULIC ENG FOR DRAINAGE PLACEMENT
  - ALL PRODUCTS TO MANUFACTURERS SPECIFICATIONS AND INSTALLATION DETAILS
  - BUILDER/ ELECTRICIAN TO CONFIRM LIGHTING LAYOUT AND RELOCATIONS ON SITE
  - BUILDER TO CONFIRM PLACEMENT OF AIR-CONDITIONING DUCTS/ VENTS AND UNITS. CHECK ON SITE
  - REFER TO DOOR MANUFACTURER FOR ALL DOOR DETAILS INCLUDING GLASS/ STEEL FRAME.
  - DOOR SELECTION TO BE CONFIRMED BY CLIENT
  - CONFIRM ALL FINISHES WITH CLIENT
  - BUILDER TO CONFIRM SHOPFRONT ANGLE AND DIMENSIONS ON SITE
  - SPEAKERS AND SECURITY CAMERAS TO BE INSTALLED BY OTHERS

- NOTE:- ALL PRODUCTS TO MANUFACTURERS SPECIFICATIONS & INSTALLATION DETAILS
- TF\_01 R11 - 300 X 600 LIGHT GREY VITRIFIED TILES
  - TF\_02 R10 - 300 X 600 LIGHT GREY VITRIFIED TILES
  - CB\_01 TIMBER FINISH - BENCH
  - SB STAINLESS STEEL BENCH - TO MANUFACTURERS DETAILS
  - PF\_01 BLACK LOW SHEEN WALL PAINT FINISH (W/ SUPER GRAPHIC)
  - PF\_02 WHITE LOW SHEEN WALL PAINT FINISH
  - WT\_01 200 X 100 TILES - WHITE SATIN FINISH LAYED IN BOND BRICK FASHION
  - SUSHI TRAIN
  - (RTM) REFER TO MANUFACTURER



1 PROPOSED - FLOOR PLAN  
 1 : 50



**G&K PROJECTS**  
 DESIGN-CONSTRUCT

COPYRIGHT  
 ALL RIGHTS RESERVED. THIS WORK IS COPYRIGHT AND CANNOT BE REPRODUCED OR COPIED BY ANY MEANS WITHOUT THE WRITTEN PERMISSION OF Y-ENTERPRISES PTY LTD. ANY LICENSE, EXPRESS OR IMPLIED, TO USE THIS DOCUMENT FOR ANY PURPOSE WHATSOEVER IS RESTRICTED TO THE TERMS OF THE AGREEMENT BETWEEN Y-ENTERPRISES PTY LTD AND THE INSTRUCTING PARTY.

GENERAL NOTES  
 USE FIGURED DIMENSIONS IN PREFERENCE TO SCALED.  
 BUILDER TO CHECK ALL DIMENSIONS ON SITE PRIOR TO FABRICATION AND BEFORE SET-OUT.  
 REFER ANY DISCREPANCIES TO THE ARCHITECT.

CLIENT  
**NUNDAH WELLNESS CENTRE**

PROJECT LOCATION  
**1220 SANDGATE ROAD, NUNDAH**

**Y-ENTERPRISES**  
 Y-Enterprises Pty Ltd  
 true BIM | architecture | commercial | residential

P: (07) 38441401      ACN: 160 879 747  
 W: www.y-enterprises.com      ADR: 85 Victoria St West End  
 E: info@y-enterprises.com      4101 QLD Australia

Copyright © 2012 Y-Enterprises PTY LTD / All Rights Reserved

PROJECT TITLE  
**SUSHI TRAIN - FIT-OUT**

DRAWING TITLE  
**PROPOSED - FLOOR PLAN**

DATE 19.01.14      PROJECT NO. 1009  
 SCALE 1:50      DRAWING NO. 100  
 DRAWN K.LINDERBOOM      ISSUE B

REV	DATE	DRAWN	REV'D	APP'D	REVISION	REV	DATE	DRAWN	REV'D	APP'D	REVISION
01	23.12.13	PVS	KL	PVS	DESIGN REVIEW - ISSUE A						
01	19.01.14	KL	PVS	KL	APPROVED DESIGN - ISSUE B						
02	23.01.14	KL	PVS	KL	APPROVED DESIGN - ISSUE B						
03	28.01.14	KL	PVS	KL	APPROVED DESIGN - ISSUE B						

APPROVED DESIGN

100

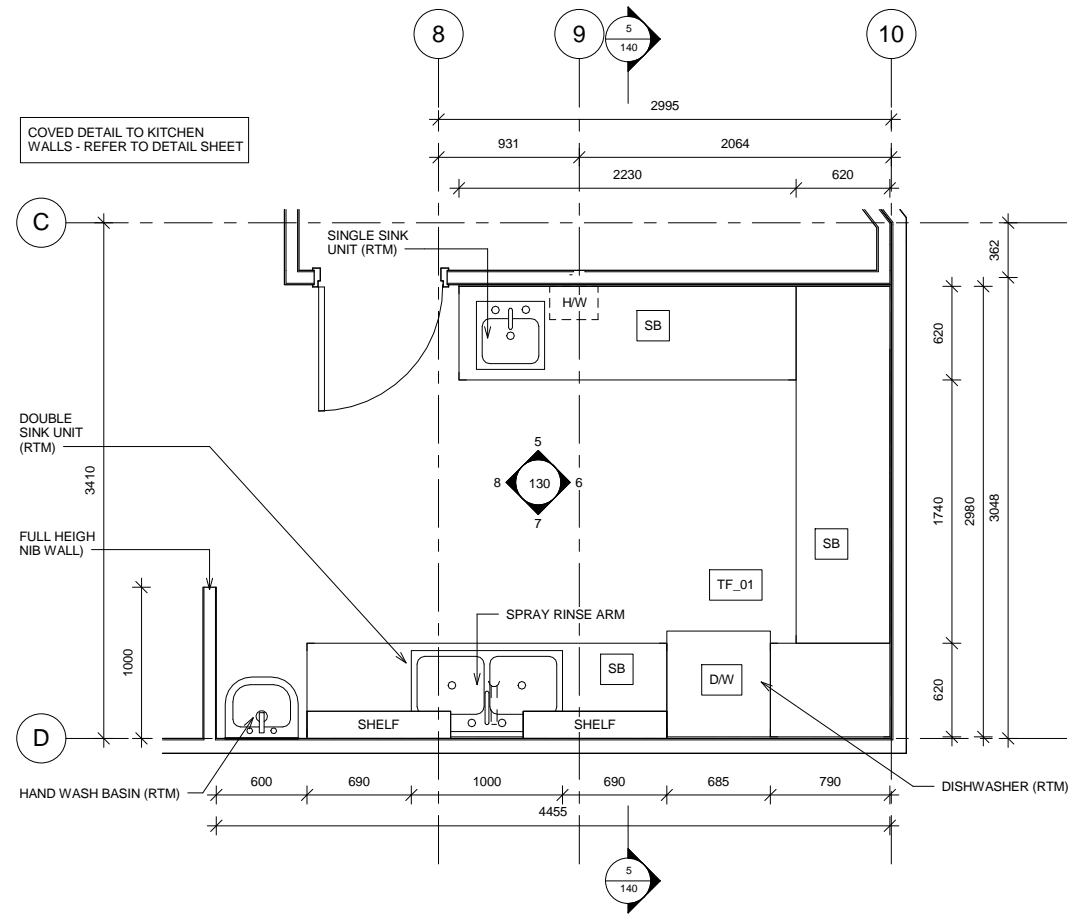
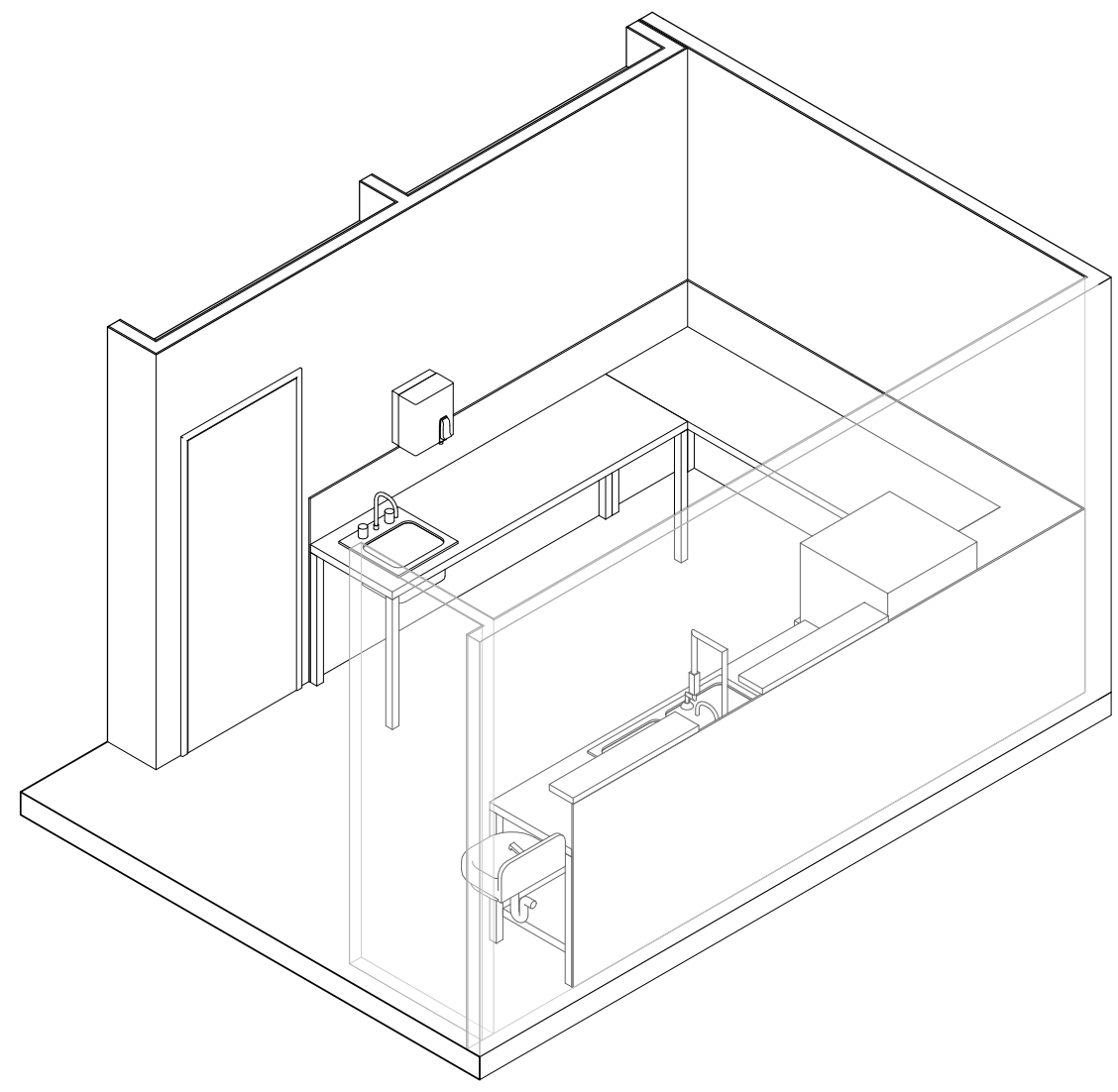
ISSUE B

30/01/2014 9:56:32 AM

COPYRIGHT G & K PROJECTS PTY LTD.  
 THIS DRAWING IS THE PROPERTY OF G & K PROJECTS PTY LTD. COPYRIGHT IS RESERVED BY THEM AND THE DRAWING ISSUED ON THE CONDITION IT IS NOT COPIED, REPRODUCED, RETAINED OR DISCLOSED TO ANY UNAUTHORISED PERSON OR COMPANY, EITHER WHOLLY OR IN PART WITHOUT THE CONSENT IN WRITING OF G & K PROJECTS PTY LTD. THE USE OF THIS DRAWING FOR CONSTRUCTION WITHOUT THE ABOVE CONSENT IS AN OFFENCE AND LEGAL ACTION WILL / COULD BE TAKEN SHOULD THIS TAKE PLACE.

- NOTES:
- BUILDER TO CHECK ALL DIMENSIONS ON SITE
  - REFER TO STRUCTURAL ENG FOR LOAD BEARING WALL SIZES AND FOUNDATION SIZES (FLOOR SLABS SHOWN INDICATIVELY)
  - REFER TO HYDRAULIC ENG FOR DRAINAGE PLACEMENT
  - ALL PRODUCTS TO MANUFACTURERS SPECIFICATIONS AND INSTALLATION DETAILS
  - BUILDER/ ELECTRICIAN TO CONFIRM LIGHTING LAYOUT AND RELOCATIONS ON SITE
  - BUILDER TO CONFIRM PLACEMENT OF AIR-CONDITIONING DUCTS/ VENTS AND UNITS. CHECK ON SITE
  - REFER TO DOOR MANUFACTURER FOR ALL DOOR DETAILS INCLUDING GLASS/ STEEL FRAME.
  - DOOR SELECTION TO BE CONFIRMED BY CLIENT
  - CONFIRM ALL FINISHES WITH CLIENT
  - BUILDER TO CONFIRM SHOPFRONT ANGLE AND DIMENSIONS ON SITE
  - SPEAKERS AND SECURITY CAMERAS TO BE INSTALLED BY OTHERS

- NOTE:- ALL PRODUCTS TO MANUFACTURERS SPECIFICATIONS & INSTALLATION DETAILS
- TF\_01 R11 - 300 X 600 LIGHT GREY VITRIFIED TILES
  - TF\_02 R10 - 300 X 600 LIGHT GREY VITRIFIED TILES
  - CB\_01 TIMBER FINISH - BENCH
  - SB STAINLESS STEEL BENCH - TO MANUFACTURERS DETAILS
  - PF\_01 BLACK LOW SHEEN WALL PAINT FINISH (W/ SUPER GRAPHIC)
  - PF\_02 WHITE LOW SHEEN WALL PAINT FINISH
  - WT\_01 200 X 100 TILES - WHITE SATIN FINISH LAYED IN BOND BRICK FASHION
  - ⊗ SUSHI TRAIN
  - (RTM) REFER TO MANUFACTURER



1 PROPOSED KITCHEN - FLOOR PLAN  
 1 : 25

**G&K PROJECTS**  
 DESIGN-CONSTRUCT

**COPYRIGHT**  
 ALL RIGHTS RESERVED. THIS WORK IS COPYRIGHT AND CANNOT BE REPRODUCED OR COPIED BY ANY MEANS WITHOUT THE WRITTEN PERMISSION OF Y-ENTERPRISES PTY LTD. ANY VARIANCE, EXPRESS OR IMPLIED, TO USE THIS DOCUMENT FOR ANY PURPOSE WHATSOEVER IS RESTRICTED TO THE TERMS OF THE AGREEMENT BETWEEN Y-ENTERPRISES PTY LTD AND THE INSTRUCTING PARTY.

**GENERAL NOTES**  
 USE FIGURED DIMENSIONS IN PREFERENCE TO SCALED.  
 BUILDER TO CHECK ALL DIMENSIONS ON SITE PRIOR TO FABRICATION AND BEFORE SET-OUT.  
 REFER ANY DISCREPANCIES TO THE ARCHITECT.

CLIENT  
**NUNDAH WELLNESS CENTRE**

PROJECT LOCATION  
**1220 SANDGATE ROAD, NUNDAH**

**Y-ENTERPRISES**  
 Y-Enterprises Pty Ltd  
 true BIM | architecture | commercial | residential

P: (07) 38441401 ACN: 160 879 747  
 W: www.y-enterprises.com ADR: 85 Victoria St West End  
 E: info@y-enterprises.com 4101, QLD Australia

Copyright © 2012 Y-Enterprises PTY LTD / All Rights Reserved

PROJECT TITLE  
**SUSHI TRAIN - FIT-OUT**

DRAWING TITLE  
**PROPOSED KITCHEN**

DATE 19.01.14 PROJECT NO. 1009  
 SCALE As indicated DRAWING NO. 110  
 DRAWN K.LINDERBOOM ISSUE B

REV	DATE	DRAWN	REV'D	APP'D	REVISION	REV	DATE	DRAWN	REV'D	APP'D	REVISION
01	23.12.13	PVS	KL	PVS	DESIGN REVIEW - ISSUE A						
01	19.01.14	KL	PVS	KL	APPROVED DESIGN - ISSUE B						
02	23.01.14	KL	PVS	KL	APPROVED DESIGN - ISSUE B						
03	28.01.14	KL	PVS	KL	APPROVED DESIGN - ISSUE B						

APPROVED DESIGN

110

ISSUE B

30/01/2014 9:56:33 AM

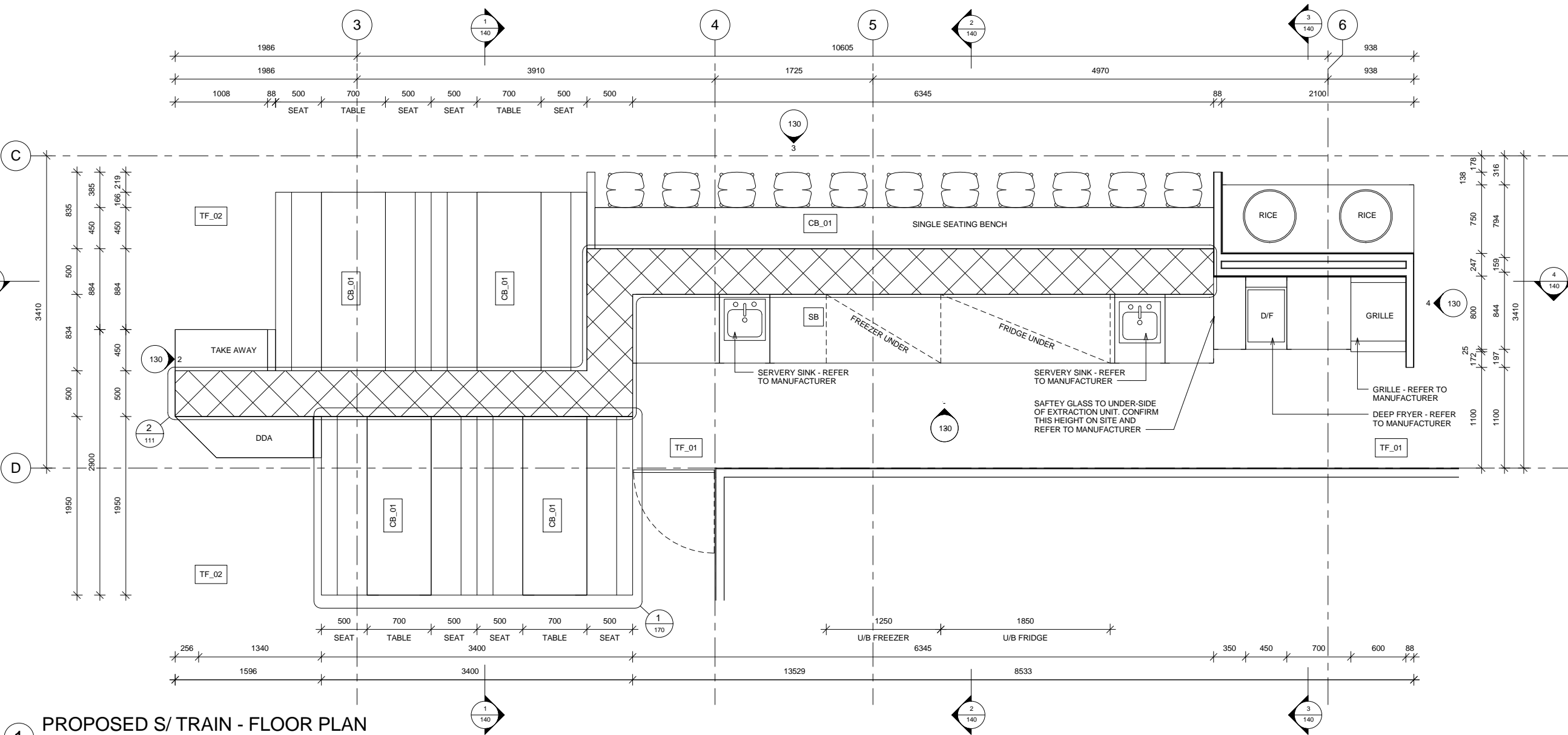


COPYRIGHT G & K PROJECTS PTY LTD:  
 THIS DRAWING IS THE PROPERTY OF G & K PROJECTS PTY LTD. COPYRIGHT IS RESERVED BY THEM AND THE DRAWING ISSUED ON THE CONDITION IT IS NOT COPIED, REPRODUCED, RETAINED OR DISCLOSED TO ANY UNAUTHORISED PERSON OR COMPANY, EITHER WHOLLY OR IN PART WITHOUT THE CONSENT IN WRITING OF G & K PROJECTS PTY LTD. THE USE OF THIS DRAWING FOR CONSTRUCTION WITHOUT THE ABOVE CONSENT IS AN OFFENCE AND LEGAL ACTION WILL / COULD BE TAKEN SHOULD THIS TAKE PLACE.

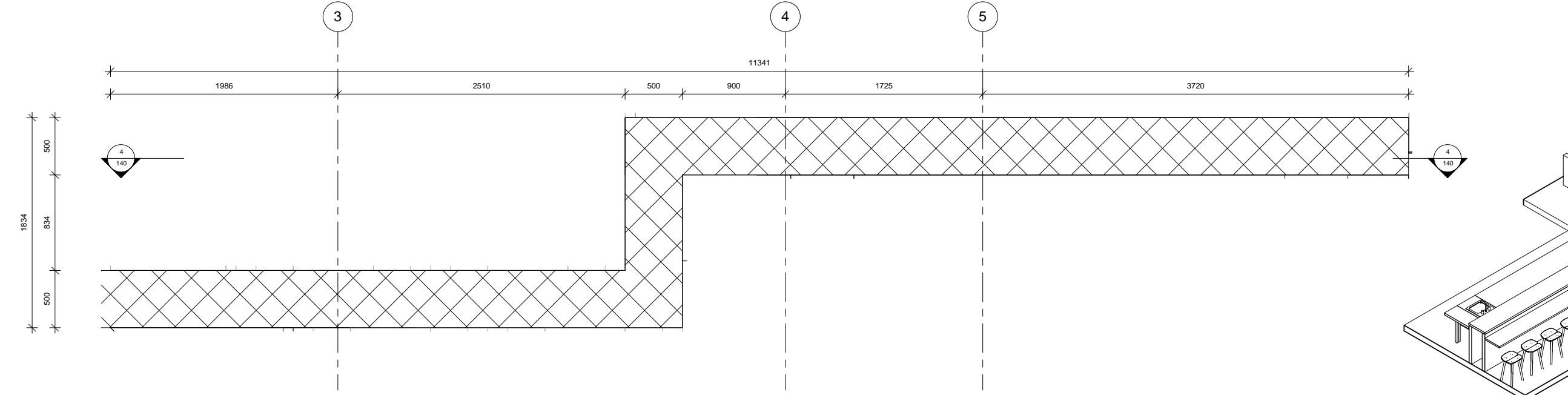
- NOTES:
- BUILDER TO CHECK ALL DIMENSIONS ON SITE
  - REFER TO STRUCTURAL ENG FOR LOAD BEARING WALL SIZES AND FOUNDATION SIZES (FLOOR SLABS SHOWN INDICATIVELY)
  - REFER TO HYDRAULIC ENG FOR DRAINAGE PLACEMENT
  - ALL PRODUCTS TO MANUFACTURERS SPECIFICATIONS AND INSTALLATION DETAILS
  - BUILDER/ ELECTRICIAN TO CONFIRM LIGHTING LAYOUT AND RELOCATIONS ON SITE
  - BUILDER TO CONFIRM PLACEMENT OF AIR-CONDITIONING DUCTS/ VENTS AND UNITS. CHECK ON SITE
  - REFER TO DOOR MANUFACTURER FOR ALL DOOR DETAILS INCLUDING GLASS/ STEEL FRAME.
  - DOOR SELECTION TO BE CONFIRMED BY CLIENT
  - CONFIRM ALL FINISHES WITH CLIENT
  - BUILDER TO CONFIRM SHOPFRONT ANGLE AND DIMENSIONS ON SITE
  - SPEAKERS AND SECURITY CAMERAS TO BE INSTALLED BY OTHERS

NOTE:- ALL PRODUCTS TO MANUFACTURERS SPECIFICATIONS & INSTALLATION DETAILS

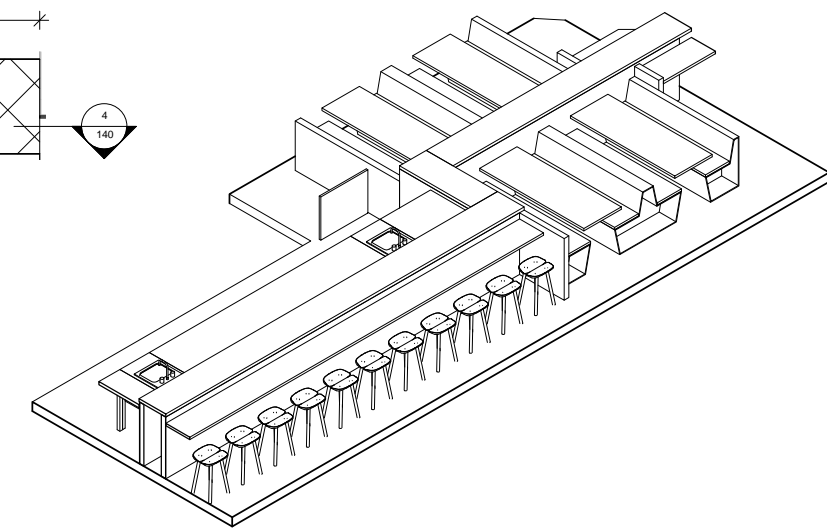
TF_01	R11 - 300 X 600 LIGHT GREY VITRIFIED TILES
TF_02	R10 - 300 X 600 LIGHT GREY VITRIFIED TILES
CB_01	TIMBER FINISH - BENCH
SB	STAINLESS STEEL BENCH - TO MANUFACTURERS DETAILS
PF_01	BLACK LOW SHEEN WALL PAINT FINISH (W/ SUPER GRAPHIC)
PF_02	WHITE LOW SHEEN WALL PAINT FINISH
WT_01	200 X 100 TILES - WHITE SATIN FINISH LAYED IN BOND BRICK FASHION
RTM	SUSHI TRAIN REFER TO MANUFACTURER



1 PROPOSED S/ TRAIN - FLOOR PLAN  
 1 : 25



2 SUSHI TRAIN - FLOOR PLAN  
 1 : 20



APPROVED DESIGN

**G&K PROJECTS**  
 DESIGN CONSTRUCTION  
 COPYRIGHT  
 ALL RIGHTS RESERVED. THIS WORK IS COPYRIGHT AND CANNOT BE REPRODUCED OR COPIED BY ANY MEANS WITHOUT THE WRITTEN PERMISSION OF Y-ENTERPRISES PTY LTD. ANY REUSE, REPRODUCTION OR MODIFICATION OF THIS DOCUMENT FOR ANY PURPOSE WHATSOEVER IS RESTRICTED TO THE TERMS OF THE AGREEMENT BETWEEN Y-ENTERPRISES PTY LTD AND THE INSTRUCTING PARTY.  
 GENERAL NOTES  
 USE FIGURED DIMENSIONS IN PREFERENCE TO SCALED.  
 BUILDER TO CHECK ALL DIMENSIONS ON SITE PRIOR TO FABRICATION AND BEFORE SET-OUT.  
 REFER ANY DISCREPANCIES TO THE ARCHITECT.

CLIENT  
**NUNDAH WELLNESS CENTRE**  
 PROJECT LOCATION  
**1220 SANDGATE ROAD, NUNDAH**

**Y-ENTERPRISES**  
 Y-Enterprises Pty Ltd  
 true BIM | architecture | commercial | residential  
 P: (07) 38441401 ACN: 160 879 747  
 W: www.y-enterprises.com ADR: 85 Victoria St West End  
 E: info@y-enterprises.com 4101, QLD Australia  
 Copyright © 2012 Y-Enterprises PTY LTD / All Rights Reserved

PROJECT TITLE  
**SUSHI TRAIN - FIT-OUT**  
 DRAWING TITLE  
**PROPOSED S/ TRAIN - FLOOR PLAN**  
 DATE 19.01.14 PROJECT NO. 1009  
 SCALE As indicated DRAWING NO. 111  
 DRAWN K.LINDERBOOM ISSUE B

REV	DATE	DRAWN	REV'D	APP'D	REVISION
01	23.12.13	PVS	KL	PVS	DESIGN REVIEW - ISSUE A
01	19.01.14	KL	PVS	KL	APPROVED DESIGN - ISSUE B
02	23.01.14	KL	PVS	KL	APPROVED DESIGN - ISSUE B
03	28.01.14	KL	PVS	KL	APPROVED DESIGN - ISSUE B




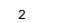


111  
 ISSUE B

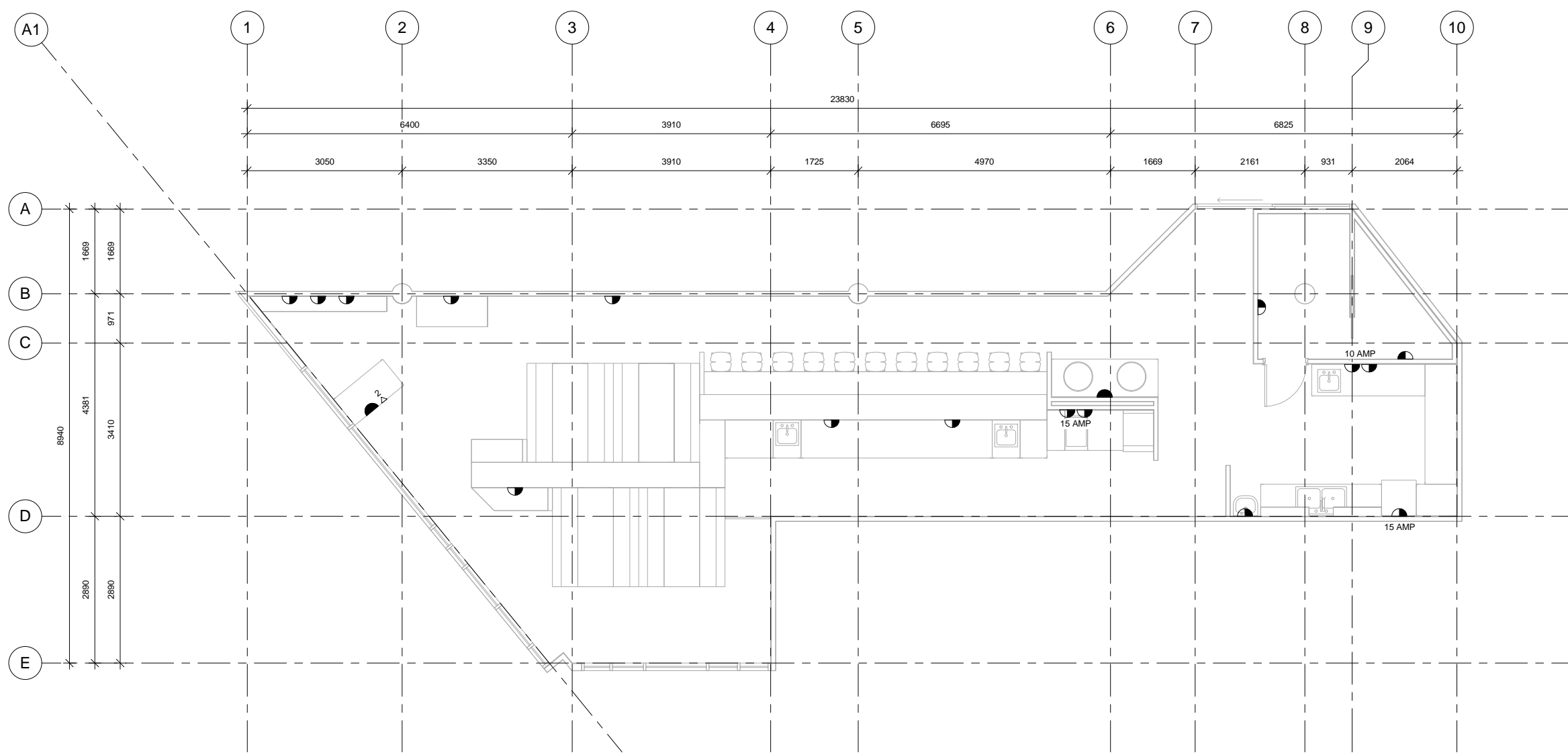
30/01/2014 9:56:34 AM

COPYRIGHT G & K PROJECTS PTY LTD.  
 THIS DRAWING IS THE PROPERTY OF G & K PROJECTS PTY LTD. COPYRIGHT IS RESERVED BY THEM AND THE DRAWING ISSUED ON THE CONDITION IT IS NOT COPIED, REPRODUCED, RETAINED OR DISCLOSED TO ANY UNAUTHORISED PERSON OR COMPANY, EITHER WHOLLY OR IN PART WITHOUT THE CONSENT IN WRITING OF G & K PROJECTS PTY LTD. THE USE OF THIS DRAWING FOR CONSTRUCTION WITHOUT THE ABOVE CONSENT IS AN OFFENCE AND LEGAL ACTION WILL / COULD BE TAKEN SHOULD THIS TAKE PLACE.

- NOTES:
- BUILDER TO CHECK ALL DIMENSIONS ON SITE
  - REFER TO STRUCTURAL ENG FOR LOAD BEARING WALL SIZES AND FOUNDATION SIZES (FLOOR SLABS SHOWN INDICATIVELY)
  - REFER TO HYDRAULIC ENG FOR DRAINAGE PLACEMENT
  - ALL PRODUCTS TO MANUFACTURERS SPECIFICATIONS AND INSTALLATION DETAILS
  - BUILDER/ ELECTRICIAN TO CONFIRM LIGHTING LAYOUT AND RELOCATIONS ON SITE
  - BUILDER TO CONFIRM PLACEMENT OF AIR-CONDITIONING DUCTS/ VENTS AND UNITS. CHECK ON SITE
  - REFER TO DOOR MANUFACTURER FOR ALL DOOR DETAILS INCLUDING GLASS/ STEEL FRAME.
  - DOOR SELECTION TO BE CONFIRMED BY CLIENT
  - CONFIRM ALL FINISHES WITH CLIENT
  - BUILDER TO CONFIRM SHOPFRONT ANGLE AND DIMENSIONS ON SITE
  - SPEAKERS AND SECURITY CAMERAS TO BE INSTALLED BY OTHERS

NOTE:- ALL PRODUCTS TO MANUFACTURERS SPECIFICATIONS & INSTALLATION DETAILS

-  SINGLE GPO
-  DOUBLE GPO
-  SINGLE DATA POINT
-  DOUBLE DATA POINT
-  @ COUNTER HEIGHT
-  @ UNDER BENCH



**1 ELECTRICAL PLAN**  
 1 : 50

APPROVED DESIGN

**G&K PROJECTS**  
 DESIGN CONSTRUCTION  
 COPYRIGHT  
 ALL RIGHTS RESERVED. THIS WORK IS COPYRIGHT AND CANNOT BE REPRODUCED OR COPIED BY ANY MEANS WITHOUT THE WRITTEN PERMISSION OF Y-ENTERPRISES PTY LTD. ANY REUSE, EXPRESS OR IMPLIED, TO USE THIS DOCUMENT FOR ANY PURPOSE WHATSOEVER IS RESTRICTED TO THE TERMS OF THE AGREEMENT BETWEEN Y-ENTERPRISES PTY LTD AND THE INSTRUCTING PARTY.  
 GENERAL NOTES  
 USE FIGURED DIMENSIONS IN PREFERENCE TO SCALED.  
 BUILDER TO CHECK ALL DIMENSIONS ON SITE PRIOR TO FABRICATION AND BEFORE SET-OUT.  
 REFER ANY DISCREPANCIES TO THE ARCHITECT.

CLIENT  
**NUNDAH WELLNESS CENTRE**  
 PROJECT LOCATION  
**1220 SANDGATE ROAD, NUNDAH**

**Y-ENTERPRISES**  
 Y-Enterprises Pty Ltd  
 true BIM | architecture | commercial | residential  
 P: (07) 38441401 ACN: 160 879 747  
 W: www.y-enterprises.com ADR: 85 Victoria St West End  
 E: info@y-enterprises.com 4101, QLD Australia  
 Copyright © 2012 Y-Enterprises PTY LTD / All Rights Reserved

PROJECT TITLE  
**SUSHI TRAIN - FIT-OUT**  
 DRAWING TITLE  
**ELECTRICAL PLAN**  
 DATE 19.01.14 PROJECT NO. 1009  
 SCALE 1:50 DRAWING NO. 115  
 DRAWN K.LINDERBOOM ISSUE B

REV	DATE	DRAWN	REV'D	APP'D	REVISION
01	23.12.13	PVS	KL	PVS	DESIGN REVIEW - ISSUE A
01	19.01.14	KL	PVS	KL	APPROVED DESIGN - ISSUE B
02	23.01.14	KL	PVS	KL	APPROVED DESIGN - ISSUE B
03	28.01.14	KL	PVS	KL	APPROVED DESIGN - ISSUE B

**115**  
 ISSUE B

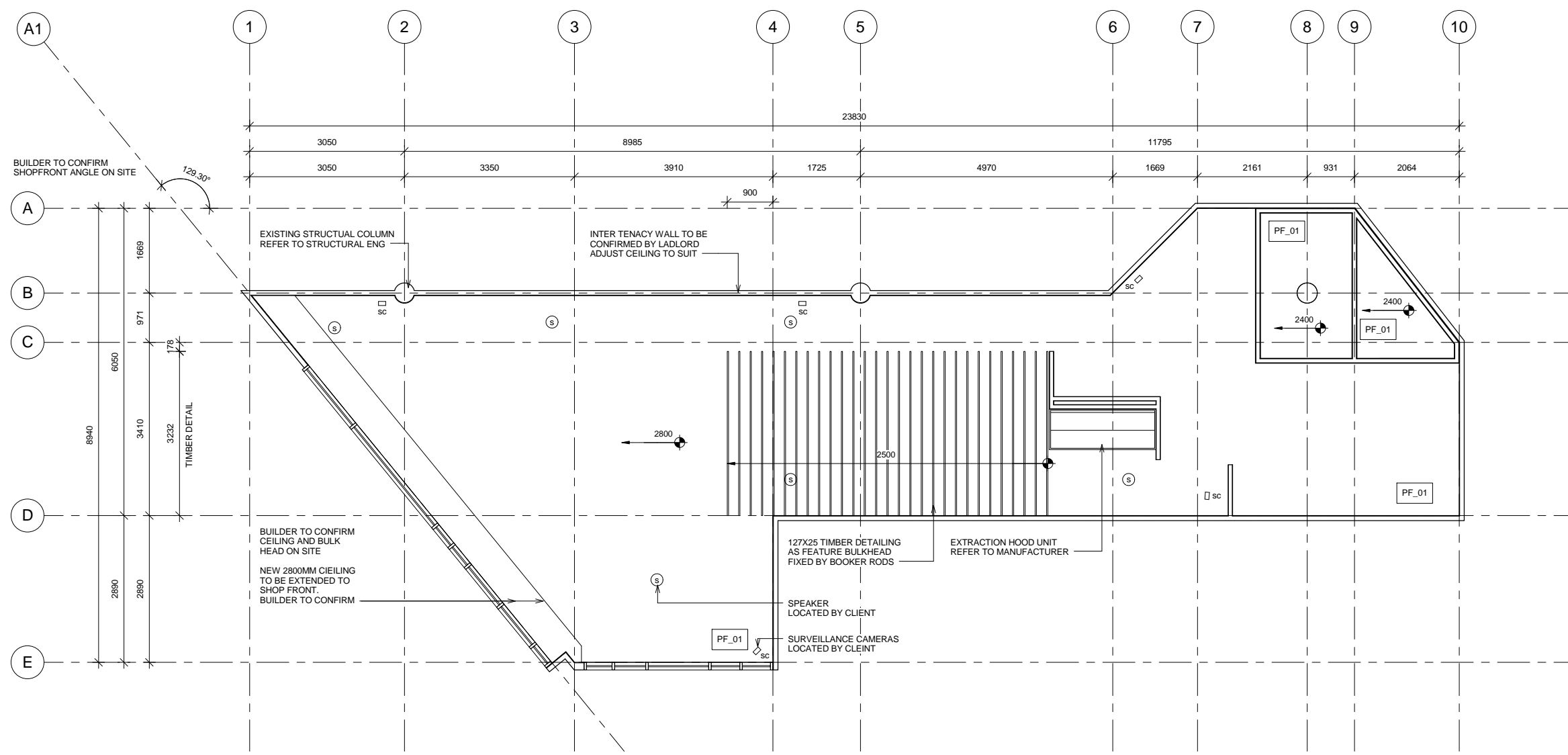
30/01/2014 9:56:34 AM

COPYRIGHT G & K PROJECTS PTY LTD.  
 THIS DRAWING IS THE PROPERTY OF G & K PROJECTS PTY LTD. COPYRIGHT IS RESERVED BY THEM AND THE DRAWING ISSUED ON THE CONDITION IT IS NOT COPIED, REPRODUCED, RETAINED OR DISCLOSED TO ANY UNAUTHORISED PERSON OR COMPANY, EITHER WHOLLY OR IN PART WITHOUT THE CONSENT IN WRITING OF G & K PROJECTS PTY LTD. THE USE OF THIS DRAWING FOR CONSTRUCTION WITHOUT THE ABOVE CONSENT IS AN OFFENCE AND LEGAL ACTION WILL / COULD BE TAKEN SHOULD THIS TAKE PLACE.

- NOTES:
- BUILDER TO CHECK ALL DIMENSIONS ON SITE
  - REFER TO STRUCTURAL ENG FOR LOAD BEARING WALL SIZES AND FOUNDATION SIZES (FLOOR SLABS SHOWN INDICATIVELY)
  - REFER TO HYDRAULIC ENG FOR DRAINAGE PLACEMENT
  - ALL PRODUCTS TO MANUFACTURERS SPECIFICATIONS AND INSTALLATION DETAILS
  - BUILDER/ ELECTRICIAN TO CONFIRM LIGHTING LAYOUT AND RELOCATIONS ON SITE
  - BUILDER TO CONFIRM PLACEMENT OF AIR-CONDITIONING DUCTS/ VENTS AND UNITS. CHECK ON SITE
  - REFER TO DOOR MANUFACTURER FOR ALL DOOR DETAILS INCLUDING GLASS/ STEEL FRAME.
  - DOOR SELECTION TO BE CONFIRMED BY CLIENT
  - CONFIRM ALL FINISHES WITH CLIENT
  - BUILDER TO CONFIRM SHOPFRONT ANGLE AND DIMENSIONS ON SITE
  - SPEAKERS AND SECURITY CAMERAS TO BE INSTALLED BY OTHERS

NOTE:- ALL PRODUCTS TO MANUFACTURERS SPECIFICATIONS & INSTALLATION DETAILS

TF_01	R11 - 300 X 600 LIGHT GREY VITRIFIED TILES
TF_02	R10 - 300 X 600 LIGHT GREY VITRIFIED TILES
CB_01	TIMBER FINISH - BENCH
SB	STAINLESS STEEL BENCH - TO MANUFACTURERS DETAILS
PF_01	BLACK LOW SHEEN WALL PAINT FINISH (W/ SUPER GRAPHIC)
PF_02	WHITE LOW SHEEN WALL PAINT FINISH
WT_01	200 X 100 TILES - WHITE SATIN FINISH LAYED IN BOND BRICK FASHION
⊗	SUSHI TRAIN
(RTM)	REFER TO MANUFACTURER



1 REFLECTED CEILING PLAN  
 1 : 50

APPROVED DESIGN

**G&K PROJECTS**  
 DESIGN-CONSTRUCT

**COPYRIGHT**  
 ALL RIGHTS RESERVED. THIS WORK IS COPYRIGHT AND CANNOT BE REPRODUCED OR COPIED BY ANY MEANS WITHOUT THE WRITTEN PERMISSION OF Y-ENTERPRISES PTY LTD. ANY VARIANCE, EXPRESS OR IMPLIED, TO USE THIS DOCUMENT FOR ANY PURPOSE WHATSOEVER IS RESTRICTED TO THE TERMS OF THE AGREEMENT BETWEEN Y-ENTERPRISES PTY LTD AND THE INSTRUCTING PARTY.

**GENERAL NOTES**  
 USE FIGURED DIMENSIONS IN PREFERENCE TO SCALED.  
 BUILDER TO CHECK ALL DIMENSIONS ON SITE PRIOR TO FABRICATION AND BEFORE SET-OUT.  
 REFER ANY DISCREPANCIES TO THE ARCHITECT.

CLIENT  
**NUNDAH WELLNESS CENTRE**

PROJECT LOCATION  
**1220 SANDGATE ROAD, NUNDAH**

**Y-ENTERPRISES**  
 Y-Enterprises Pty Ltd  
 true BIM | architecture | commercial | residential

P: (07) 38441401 ACN: 160 879 747  
 W: www.y-enterprises.com ADR: 85 Victoria St West End  
 E: info@y-enterprises.com 4101, QLD Australia

Copyright © 2012 Y-Enterprises PTY LTD / All Rights Reserved

PROJECT TITLE  
**SUSHI TRAIN - FIT-OUT**

DRAWING TITLE  
**REFLECTED CEILING PLAN**

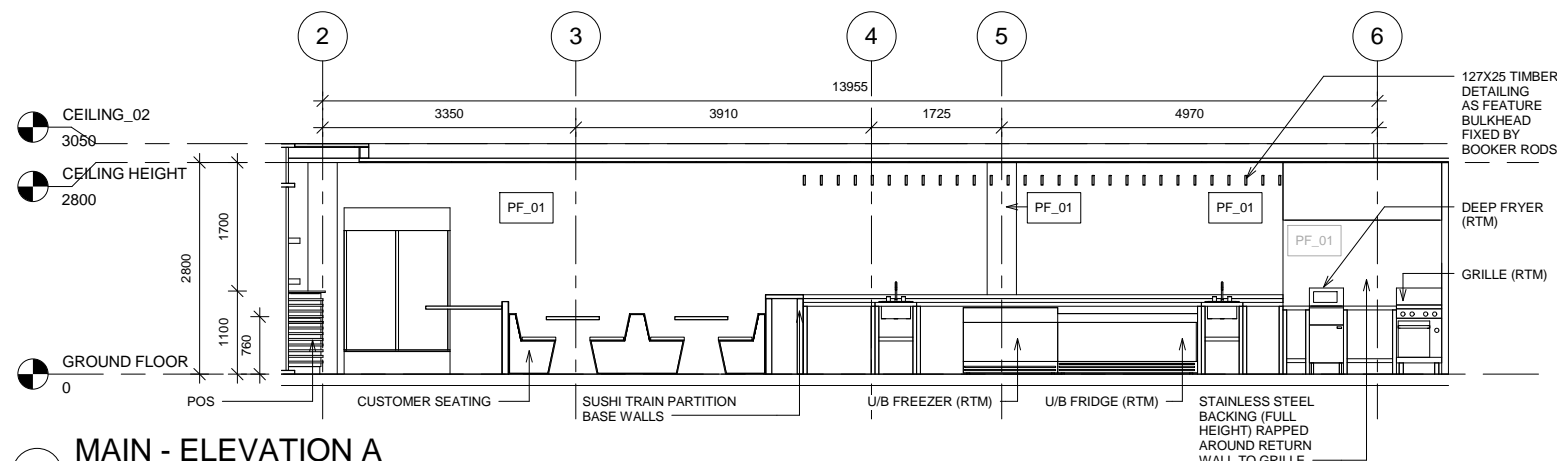
DATE 19.01.14 PROJECT NO. 1009  
 SCALE 1:50 DRAWING NO. 120  
 DRAWN K.LINDERBOOM ISSUE B

REV	DATE	DRAWN	REV'D	APP'D	REVISION
01	23.12.13	PVS	KL	PVS	DESIGN REVIEW - ISSUE A
01	19.01.14	KL	PVS	KL	APPROVED DESIGN - ISSUE B
02	23.01.14	KL	PVS	KL	APPROVED DESIGN - ISSUE B
03	28.01.14	KL	PVS	KL	APPROVED DESIGN - ISSUE B

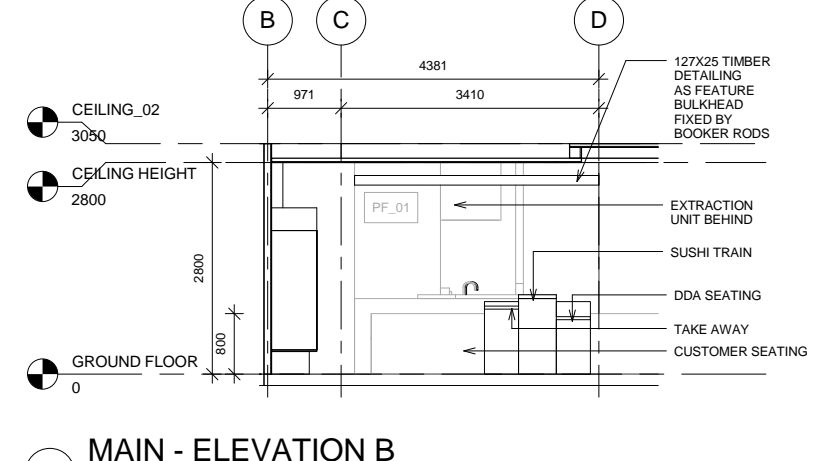
120

ISSUE B

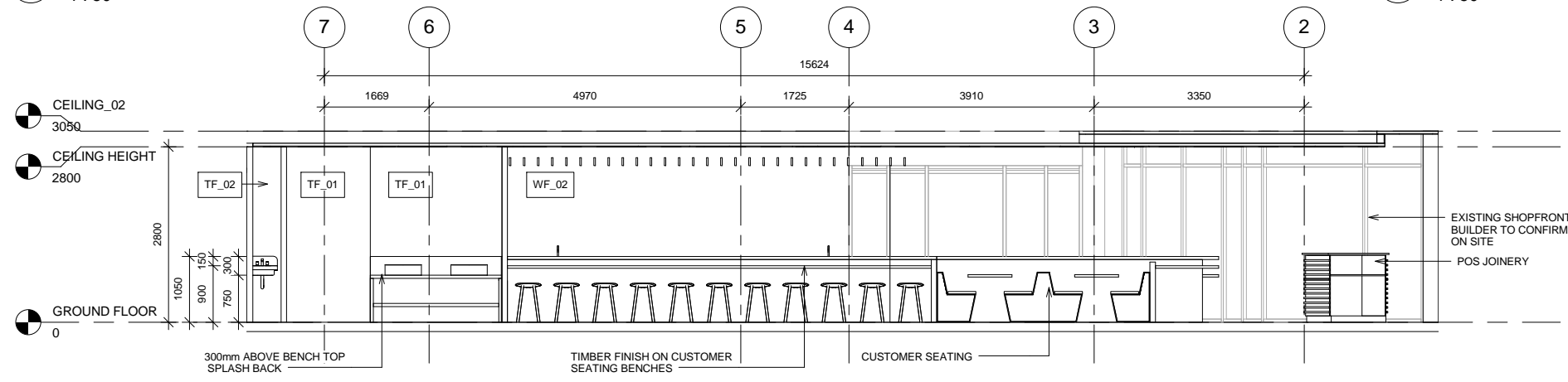
30/01/2014 9:56:34 AM



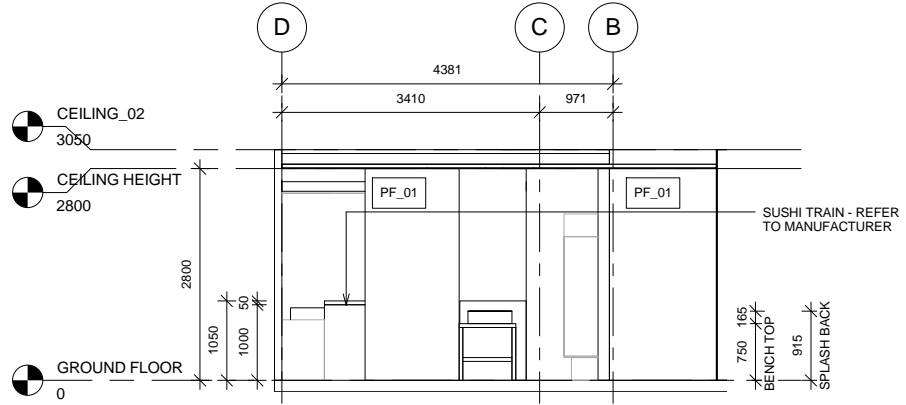
1 MAIN - ELEVATION A  
1 : 50



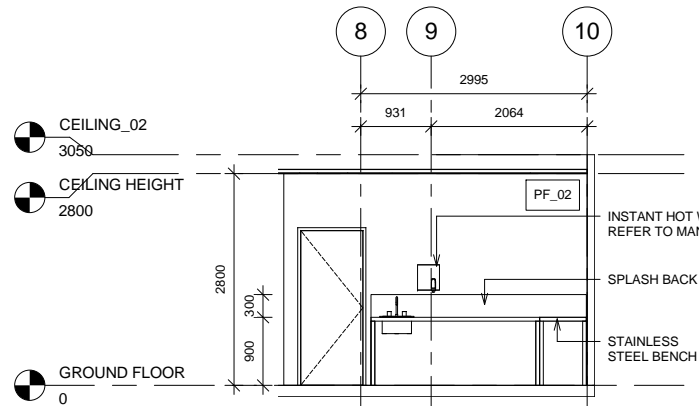
2 MAIN - ELEVATION B  
1 : 50



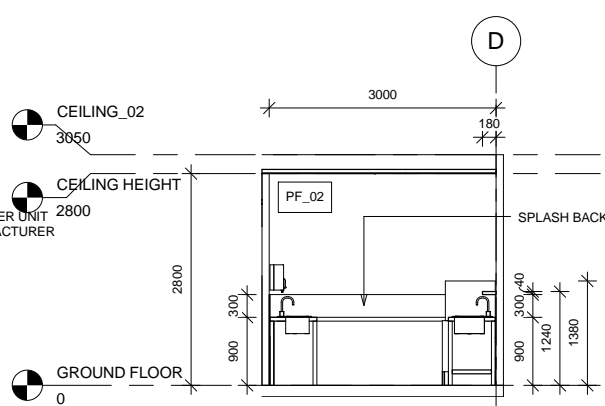
3 MAIN - ELEVATION C  
1 : 50



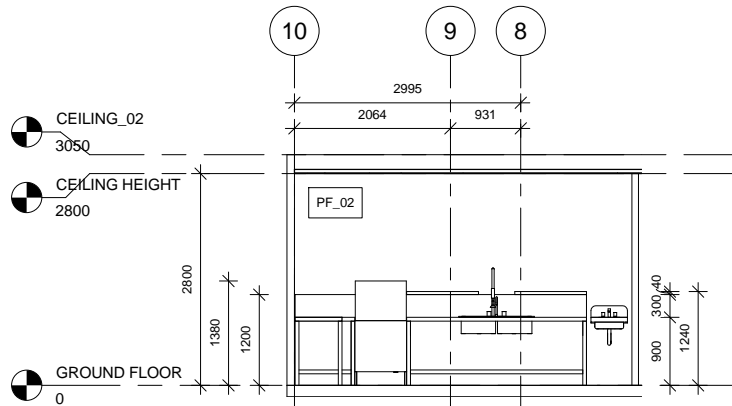
4 MAIN - ELEVATION D  
1 : 50



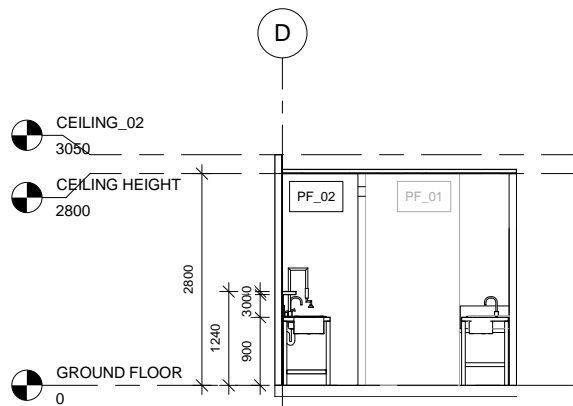
5 KITCHEN - ELEVATION A  
1 : 50



6 KITCHEN - ELEVATION B  
1 : 50



7 KITCHEN - ELEVATION C  
1 : 50



8 KITCHEN - ELEVATION D  
1 : 50

COPYRIGHT G & K PROJECTS PTY LTD.  
THIS DRAWING IS THE PROPERTY OF G & K PROJECTS PTY LTD. COPYRIGHT IS RESERVED BY THEM AND THE DRAWING ISSUED ON THE CONDITION IT IS NOT COPIED, REPRODUCED, RETAINED OR DISCLOSED TO ANY UNAUTHORISED PERSON OR COMPANY, EITHER WHOLLY OR IN PART WITHOUT THE CONSENT IN WRITING OF G & K PROJECTS PTY LTD. THE USE OF THIS DRAWING FOR CONSTRUCTION WITHOUT THE ABOVE CONSENT IS AN OFFENCE AND LEGAL ACTION WILL / COULD BE TAKEN SHOULD THIS TAKE PLACE.

- NOTES:
- BUILDER TO CHECK ALL DIMENSIONS ON SITE
  - REFER TO STRUCTURAL ENG FOR LOAD BEARING WALL SIZES AND FOUNDATION SIZES (FLOOR SLABS SHOWN INDICATIVELY)
  - REFER TO HYDRAULIC ENG FOR DRAINAGE PLACEMENT
  - ALL PRODUCTS TO MANUFACTURERS SPECIFICATIONS AND INSTALLATION DETAILS
  - BUILDER/ ELECTRICIAN TO CONFIRM LIGHTING LAYOUT AND RELOCATIONS ON SITE
  - BUILDER TO CONFIRM PLACEMENT OF AIR-CONDITIONING DUCTS/ VENTS AND UNITS. CHECK ON SITE
  - REFER TO DOOR MANUFACTURER FOR ALL DOOR DETAILS INCLUDING GLASS/ STEEL FRAME.
  - DOOR SELECTION TO BE CONFIRMED BY CLIENT
  - CONFIRM ALL FINISHES WITH CLIENT
  - BUILDER TO CONFIRM SHOPFRONT ANGLE AND DIMENSIONS ON SITE
  - SPEAKERS AND SECURITY CAMERAS TO BE INSTALLED BY OTHERS

NOTE:- ALL PRODUCTS TO MANUFACTURERS SPECIFICATIONS & INSTALLATION DETAILS

TF_01	R11 - 300 X 600 LIGHT GREY VITRIFIED TILES
TF_02	R10 - 300 X 600 LIGHT GREY VITRIFIED TILES
CB_01	TIMBER FINISH - BENCH
SB	STAINLESS STEEL BENCH - TO MANUFACTURERS DETAILS
PF_01	BLACK LOW SHEEN WALL PAINT FINISH (W/ SUPER GRAPHIC)
PF_02	WHITE LOW SHEEN WALL PAINT FINISH
WT_01	200 X 100 TILES - WHITE SATIN FINISH LAYED IN BOND BRICK FASHION
	SUSHI TRAIN
(RTM)	REFER TO MANUFACTURER

**G&K PROJECTS**  
DESIGN-CONSTRUCT

COPYRIGHT  
ALL RIGHTS RESERVED. THIS WORK IS COPYRIGHT AND CANNOT BE REPRODUCED OR COPIED BY ANY MEANS WITHOUT THE WRITTEN PERMISSION OF Y-ENTERPRISES PTY LTD. ANY UNLAWFUL USE, EXPRESS OR IMPLIED, TO USE THIS DOCUMENT FOR ANY PURPOSE WHATSOEVER IS RESTRICTED TO THE TERMS OF THE AGREEMENT BETWEEN Y-ENTERPRISES PTY LTD AND THE INSTRUCTING PARTY.

GENERAL NOTES  
USE FIGURED DIMENSIONS IN PREFERENCE TO SCALED.  
BUILDER TO CHECK ALL DIMENSIONS ON SITE PRIOR TO FABRICATION AND BEFORE SET-OUT.  
REFER ANY DISCREPANCIES TO THE ARCHITECT.

CLIENT  
**NUNDAH WELLNESS CENTRE**

PROJECT LOCATION  
**1220 SANDGATE ROAD, NUNDAH**

**Y-ENTERPRISES**  
Y-Enterprises Pty Ltd  
true BIM | architecture | commercial | residential

P: (07) 38441401 ACN: 160 879 747  
W: www.y-enterprises.com ADP: 85 Victoria St West End  
E: info@y-enterprises.com 4101, QLD Australia

Copyright © 2012 Y-Enterprises PTY LTD / All Rights Reserved

PROJECT TITLE  
**SUSHI TRAIN - FIT-OUT**

DRAWING TITLE  
**INTERNAL ELVATIONS - SHEET 1**

DATE 19.01.14 PROJECT NO. 1009  
SCALE 1:50 DRAWING NO. 130  
DRAWN K.LINDERBOOM ISSUE B

01	23.12.13	PVS	KL	PVS	DESIGN REVIEW - ISSUE A
01	19.01.14	KL	PVS	KL	APPROVED DESIGN - ISSUE B
02	23.01.14	KL	PVS	KL	APPROVED DESIGN - ISSUE B
03	28.01.14	KL	PVS	KL	APPROVED DESIGN - ISSUE B
REV	DATE	DRAWN	REV'D	APP'D	REVISION

APPROVED DESIGN

130

ISSUE B

30/01/2014 9:56:35 AM

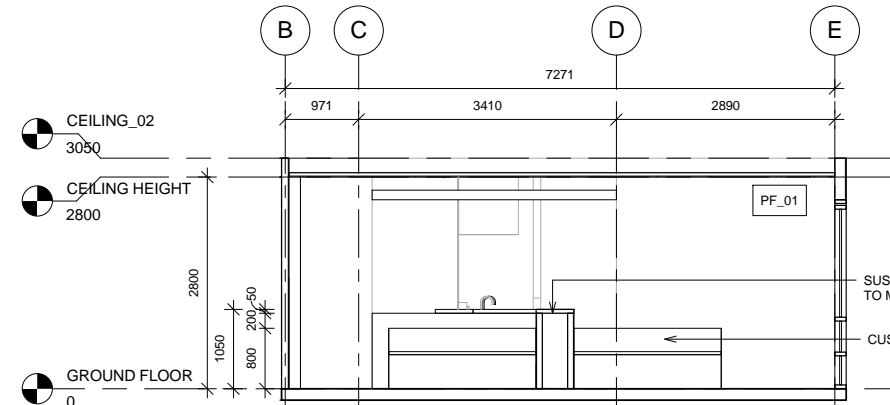


COPYRIGHT G & K PROJECTS PTY LTD.  
 THIS DRAWING IS THE PROPERTY OF G & K PROJECTS PTY LTD. COPYRIGHT IS RESERVED BY THEM AND THE DRAWING ISSUED ON THE CONDITION IT IS NOT COPIED, REPRODUCED, RETAINED OR DISCLOSED TO ANY UNAUTHORISED PERSON OR COMPANY, EITHER WHOLLY OR IN PART WITHOUT THE CONSENT IN WRITING OF G & K PROJECTS PTY LTD. THE USE OF THIS DRAWING FOR CONSTRUCTION WITHOUT THE ABOVE CONSENT IS AN OFFENCE AND LEGAL ACTION WILL / COULD BE TAKEN SHOULD THIS TAKE PLACE.

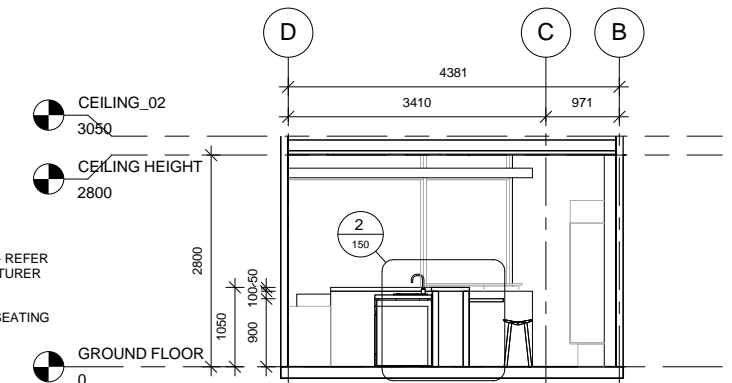
- NOTES:
- BUILDER TO CHECK ALL DIMENSIONS ON SITE
  - REFER TO STRUCTURAL ENG FOR LOAD BEARING WALL SIZES AND FOUNDATION SIZES (FLOOR SLABS SHOWN INDICATIVELY)
  - REFER TO HYDRAULIC ENG FOR DRAINAGE PLACEMENT AND INSTALLATION DETAILS
  - BUILDER/ ELECTRICIAN TO CONFIRM LIGHTING LAYOUT AND RELOCATIONS ON SITE
  - BUILDER TO CONFIRM PLACEMENT OF AIR-CONDITIONING DUCTS/ VENTS AND UNITS. CHECK ON SITE
  - REFER TO DOOR MANUFACTURER FOR ALL DOOR DETAILS INCLUDING GLASS/ STEEL FRAME.
  - DOOR SELECTION TO BE CONFIRMED BY CLIENT
  - CONFIRM ALL FINISHES WITH CLIENT
  - BUILDER TO CONFIRM SHOPFRONT ANGLE AND DIMENSIONS ON SITE
  - SPEAKERS AND SECURITY CAMERAS TO BE INSTALLED BY OTHERS

NOTE- ALL PRODUCTS TO MANUFACTURERS SPECIFICATIONS & INSTALLATION DETAILS

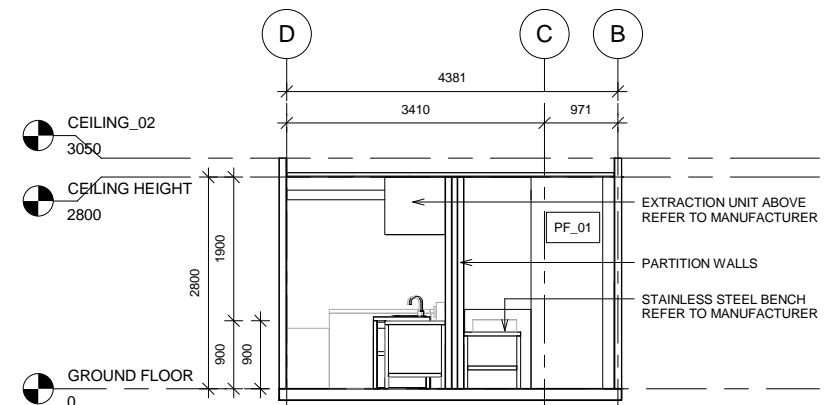
TF_01	R11 - 300 X 600 LIGHT GREY VITRIFIED TILES
TF_02	R10 - 300 X 600 LIGHT GREY VITRIFIED TILES
CB_01	TIMBER FINISH - BENCH
SB	STAINLESS STEEL BENCH - TO MANUFACTURERS DETAILS
PF_01	BLACK LOW SHEEN WALL PAINT FINISH (W/ SUPER GRAPHIC)
PF_02	WHITE LOW SHEEN WALL PAINT FINISH
WT_01	200 X 100 TILES - WHITE SATIN FINISH LAYED IN BOND BRICK FASHION
(S)	SUSHI TRAIN
(RTM)	REFER TO MANUFACTURER



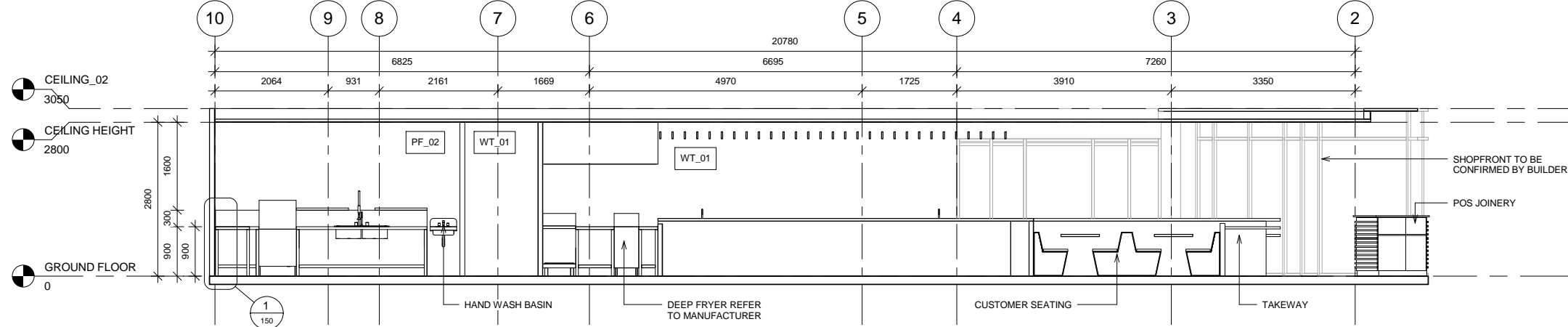
1 MAIN - SECTION A  
 1 : 50



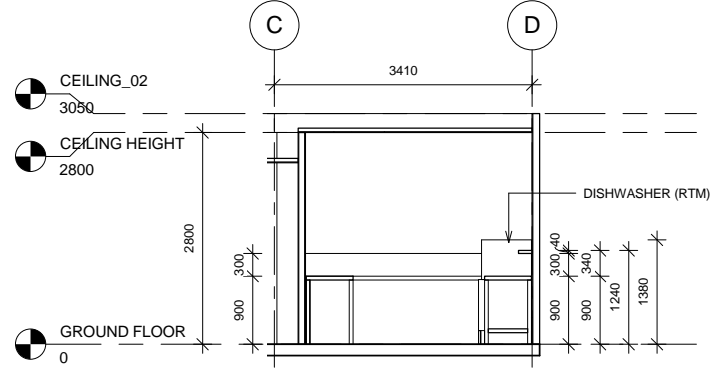
2 MAIN - SECTION B  
 1 : 50



3 MAIN - SECTION C  
 1 : 50



4 MAIN - SECTION D  
 1 : 50



5 KITCHEN - SECTION A  
 1 : 50

**G&K PROJECTS**  
 DESIGN-CONSTRUCT

COPYRIGHT  
 ALL RIGHTS RESERVED. THIS WORK IS COPYRIGHT AND CANNOT BE REPRODUCED OR COPIED BY ANY MEANS WITHOUT THE WRITTEN PERMISSION OF Y-ENTERPRISES PTY LTD. ANY REUSE, EXCESSIVE OR UNLAWFUL, OF THIS DOCUMENT FOR ANY PURPOSE WHATSOEVER IS RESTRICTED TO THE TERMS OF THE AGREEMENT BETWEEN Y-ENTERPRISES PTY LTD AND THE INSTRUCTING PARTY.

GENERAL NOTES  
 USE FIGURED DIMENSIONS IN PREFERENCE TO SCALED.  
 BUILDER TO CHECK ALL DIMENSIONS ON SITE PRIOR TO FABRICATION AND BEFORE SET-OUT.  
 REFER ANY DISCREPANCIES TO THE ARCHITECT.

CLIENT  
**NUNDAH WELLNESS CENTRE**

PROJECT LOCATION  
 1220 SANDGATE ROAD, NUNDAH

**Y-ENTERPRISES**  
 Y-Enterprises Pty Ltd  
 true BIM | architecture | commercial | residential

P: (07) 38441401 ACN: 160 879 747  
 W: www.y-enterprises.com ADR: 85 Victoria St West End  
 E: info@y-enterprises.com 4101, QLD Australia

Copyright © 2012 Y-Enterprises PTY LTD / All Rights Reserved

PROJECT TITLE  
**SUSHI TRAIN - FIT-OUT**

DRAWING TITLE  
**SECTIONS - SHEET 1**

DATE 19.01.14 PROJECT NO. 1009  
 SCALE 1:50 DRAWING NO. 140  
 DRAWN K.LINDERBOOM ISSUE B

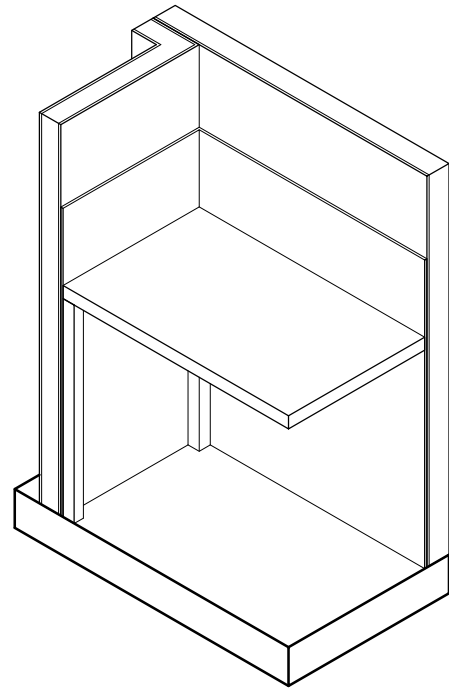
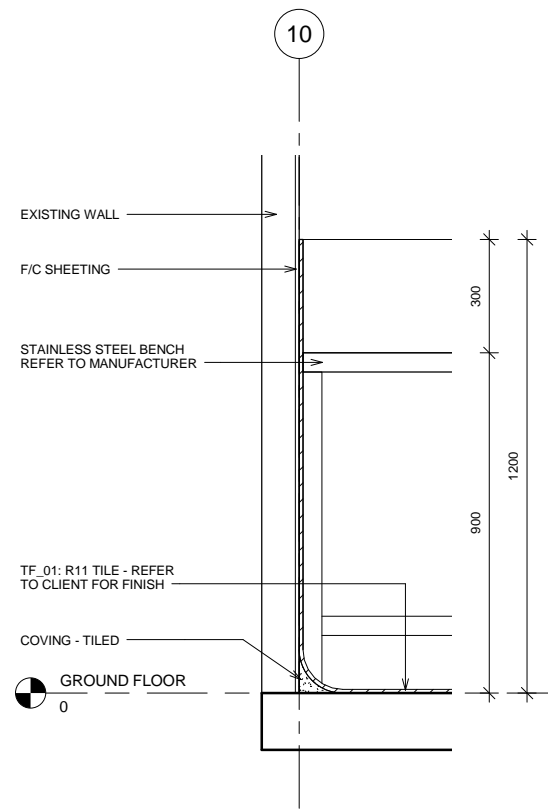
01	23.12.13	PVS	KL	PVS	DESIGN REVIEW - ISSUE A
01	19.01.14	KL	PVS	KL	APPROVED DESIGN - ISSUE B
02	23.01.14	KL	PVS	KL	APPROVED DESIGN - ISSUE B
03	28.01.14	KL	PVS	KL	APPROVED DESIGN - ISSUE B
REV	DATE	DRAWN	REV'D	APP'D	REVISION

APPROVED DESIGN

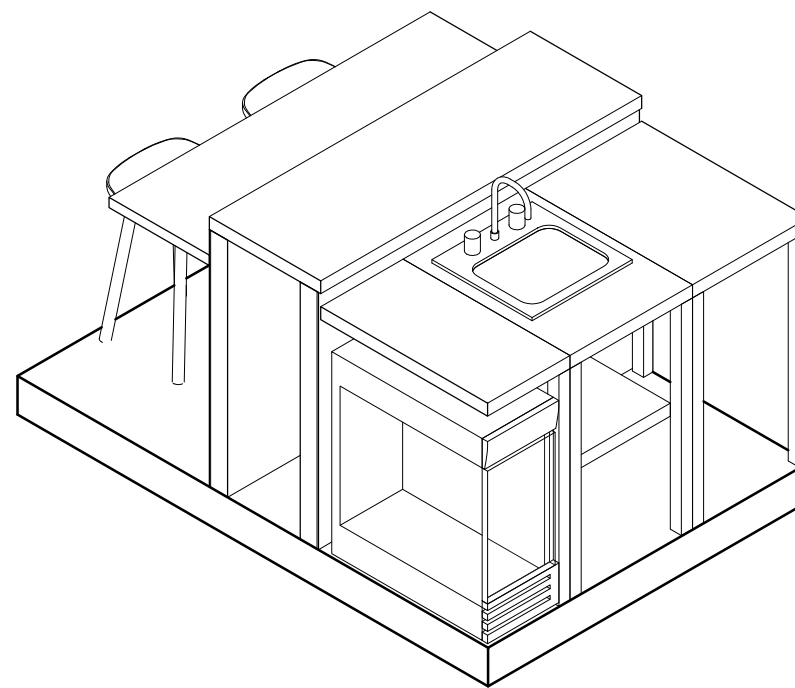
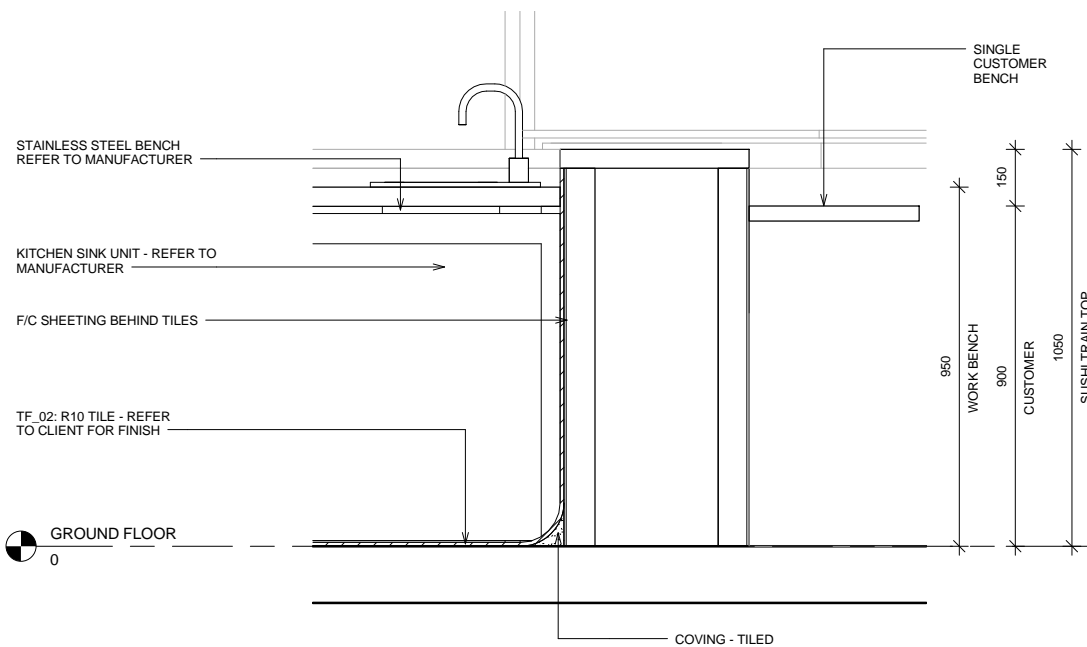
140

ISSUE B

30/01/2014 9:56:35 AM



1 COVERED - DETAIL  
1 : 10



2 SUSHI TRAIN - DETAIL  
1 : 10

COPYRIGHT G & K PROJECTS PTY LTD.  
THIS DRAWING IS THE PROPERTY OF G & K PROJECTS PTY LTD. COPYRIGHT IS RESERVED BY THEM AND THE DRAWING ISSUED ON THE CONDITION IT IS NOT COPIED, REPRODUCED, RETAINED OR DISCLOSED TO ANY UNAUTHORISED PERSON OR COMPANY, EITHER WHOLLY OR IN PART WITHOUT THE CONSENT IN WRITING OF G & K PROJECTS PTY LTD. THE USE OF THIS DRAWING FOR CONSTRUCTION WITHOUT THE ABOVE CONSENT IS AN OFFENCE AND LEGAL ACTION WILL / COULD BE TAKEN SHOULD THIS TAKE PLACE.

- NOTES:
- BUILDER TO CHECK ALL DIMENSIONS ON SITE
  - REFER TO STRUCTURAL ENG FOR LOAD BEARING WALL SIZES AND FOUNDATION SIZES (FLOOR SLABS SHOWN INDICATIVELY)
  - REFER TO HYDRAULIC ENG FOR DRAINAGE PLACEMENT
  - ALL PRODUCTS TO MANUFACTURERS SPECIFICATIONS AND INSTALLATION DETAILS
  - BUILDER/ ELECTRICIAN TO CONFIRM LIGHTING LAYOUT AND RELOCATIONS ON SITE
  - BUILDER TO CONFIRM PLACEMENT OF AIR-CONDITIONING DUCTS/ VENTS AND UNITS. CHECK ON SITE
  - REFER TO DOOR MANUFACTURER FOR ALL DOOR DETAILS INCLUDING GLASS/ STEEL FRAME.
  - DOOR SELECTION TO BE CONFIRMED BY CLIENT
  - CONFIRM ALL FINISHES WITH CLIENT
  - BUILDER TO CONFIRM SHOPFRONT ANGLE AND DIMENSIONS ON SITE
  - SPEAKERS AND SECURITY CAMERAS TO BE INSTALLED BY OTHERS

NOTE:- ALL PRODUCTS TO MANUFACTURERS SPECIFICATIONS & INSTALLATION DETAILS

TF_01	R11 - 300 X 600 LIGHT GREY VITRIFIED TILES
TF_02	R10 - 300 X 600 LIGHT GREY VITRIFIED TILES
CB_01	TIMBER FINISH - BENCH
SB	STAINLESS STEEL BENCH - TO MANUFACTURERS DETAILS
PF_01	BLACK LOW SHEEN WALL PAINT FINISH (W/ SUPER GRAPHIC)
PF_02	WHITE LOW SHEEN WALL PAINT FINISH
WT_01	200 X 100 TILES - WHITE SATIN FINISH LAYED IN BOND BRICK FASHION
⊗	SUSHI TRAIN
(RTM)	REFER TO MANUFACTURER

APPROVED DESIGN

**G&K PROJECTS**  
DESIGN-CONSTRUCT

**COPYRIGHT**  
ALL RIGHTS RESERVED. THIS WORK IS COPYRIGHT AND CANNOT BE REPRODUCED OR COPIED BY ANY MEANS WITHOUT THE WRITTEN PERMISSION OF Y-ENTERPRISES PTY LTD. ANY LICENSE, EXPRESS OR IMPLIED TO USE THIS DOCUMENT FOR ANY PURPOSE WHATSOEVER IS RESTRICTED TO THE TERMS OF THE AGREEMENT BETWEEN Y-ENTERPRISES PTY LTD AND THE INSTRUCTING PARTY.

**GENERAL NOTES**  
USE FIGURED DIMENSIONS IN PREFERENCE TO SCALED.  
BUILDER TO CHECK ALL DIMENSIONS ON SITE PRIOR TO FABRICATION AND BEFORE SET-OUT.  
REFER ANY DISCREPANCIES TO THE ARCHITECT.

CLIENT  
**NUNDAH WELLNESS CENTRE**

PROJECT LOCATION  
**1220 SANDGATE ROAD, NUNDAH**

**Y-ENTERPRISES**  
Y-Enterprises Pty Ltd  
true BIM | architecture | commercial | residential

P: (07) 38441401 ACN: 160 879 747  
W: www.y-enterprises.com ADR: 85 Victoria St West End  
E: info@y-enterprises.com 4101, QLD Australia

Copyright © 2012 Y-Enterprises PTY LTD / All Rights Reserved

PROJECT TITLE  
**SUSHI TRAIN - FIT-OUT**

DRAWING TITLE  
**DETAILS - SHEET 1**

DATE 19.01.14 PROJECT NO. 1009  
SCALE As indicated DRAWING NO. 150  
DRAWN K.LINDERBOOM ISSUE B

REV	DATE	DRAWN	REV'D	APP'D	REVISION
01	23.12.13	PVS	KL	PVS	DESIGN REVIEW - ISSUE A
01	19.01.14	KL	PVS	KL	APPROVED DESIGN - ISSUE B
02	23.01.14	KL	PVS	KL	APPROVED DESIGN - ISSUE B
03	28.01.14	KL	PVS	KL	APPROVED DESIGN - ISSUE B

150  
ISSUE B

30/01/2014 9:56:36 AM

COPYRIGHT G & K PROJECTS PTY LTD:

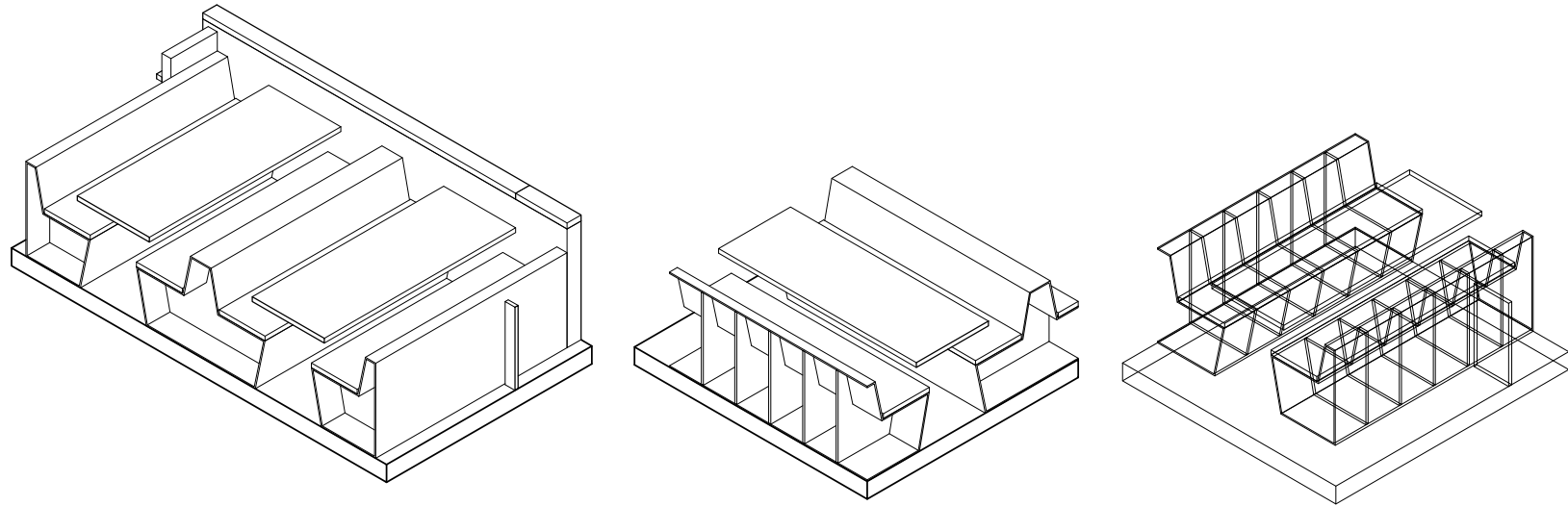
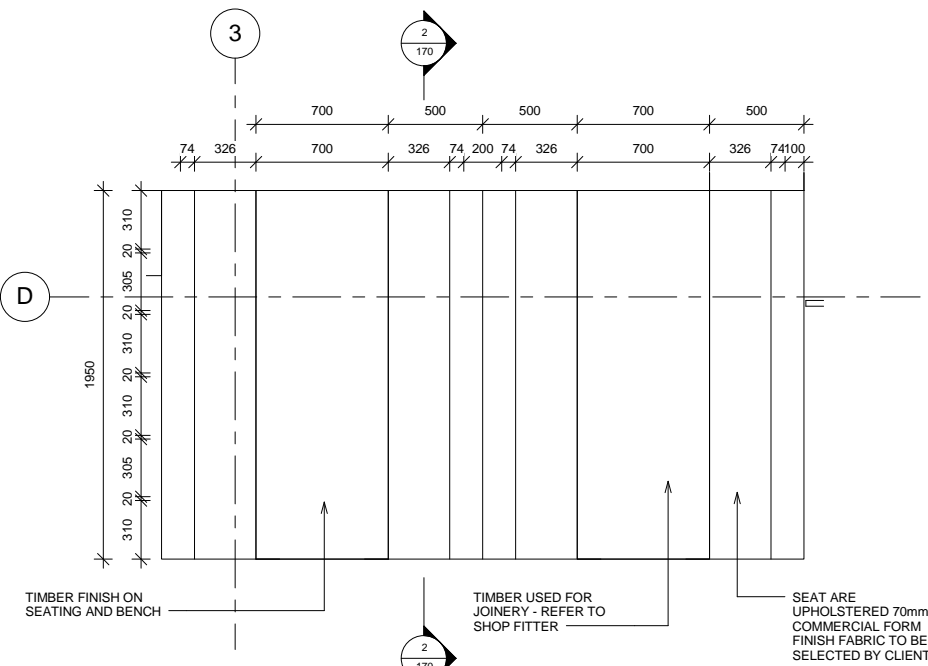
THIS DRAWING IS THE PROPERTY OF G & K PROJECTS PTY LTD. COPYRIGHT IS RESERVED BY THEM AND THE DRAWING ISSUED ON THE CONDITION IT IS NOT COPIED, REPRODUCED, RETAINED OR DISCLOSED TO ANY UNAUTHORISED PERSON OR COMPANY, EITHER WHOLLY OR IN PART WITHOUT THE CONSENT IN WRITING OF G & K PROJECTS PTY LTD. THE USE OF THIS DRAWING FOR CONSTRUCTION WITHOUT THE ABOVE CONSENT IS AN OFFENCE AND LEGAL ACTION WILL / COULD BE TAKEN SHOULD THIS TAKE PLACE.

NOTES:

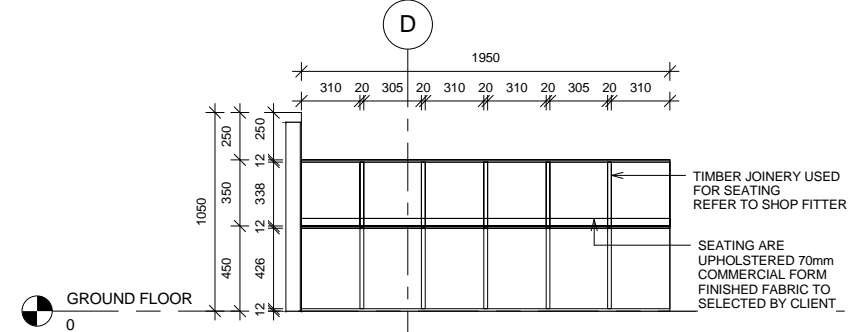
- BUILDER TO CHECK ALL DIMENSIONS ON SITE
- REFER TO STRUCTURAL ENG FOR LOAD BEARING WALL SIZES AND FOUNDATION SIZES (FLOOR SLABS SHOWN INDICATIVELY)
- REFER TO HYDRAULIC ENG FOR DRAINAGE PLACEMENT
- ALL PRODUCTS TO MANUFACTURERS SPECIFICATIONS AND INSTALLATION DETAILS
- BUILDER/ ELECTRICIAN TO CONFIRM LIGHTING LAYOUT AND RELOCATIONS ON SITE
- BUILDER TO CONFIRM PLACEMENT OF AIR-CONDITIONING DUCTS/ VENTS AND UNITS. CHECK ON SITE
- REFER TO DOOR MANUFACTURER FOR ALL DOOR DETAILS INCLUDING GLASS/ STEEL FRAME.
- DOOR SELECTION TO BE CONFIRMED BY CLIENT
- CONFIRM ALL FINISHES WITH CLIENT
- BUILDER TO CONFIRM SHOPFRONT ANGLE AND DIMENSIONS ON SITE
- SPEAKERS AND SECURITY CAMERAS TO BE INSTALLED BY OTHERS

NOTE:- ALL PRODUCTS TO MANUFACTURERS SPECIFICATIONS & INSTALLATION DETAILS

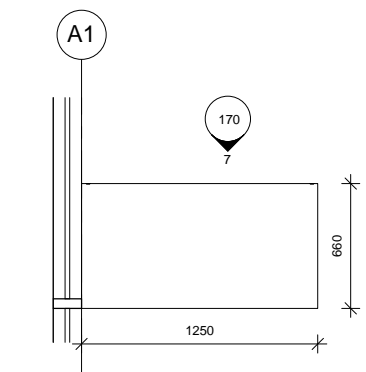
- TF\_01 R11 - 300 X 600 LIGHT GREY VITRIFIED TILES
- TF\_02 R10 - 300 X 600 LIGHT GREY VITRIFIED TILES
- CB\_01 TIMBER FINISH - BENCH
- SB STAINLESS STEEL BENCH - TO MANUFACTURERS DETAILS
- PF\_01 BLACK LOW SHEEN WALL PAINT FINISH (W/ SUPER GRAPHIC)
- PF\_02 WHITE LOW SHEEN WALL PAINT FINISH
- WT\_01 200 X 100 TILES - WHITE SATIN FINISH LAYED IN BOND BRICK FASHION
- ⊗ SUSHI TRAIN
- (RTM) REFER TO MANUFACTURER



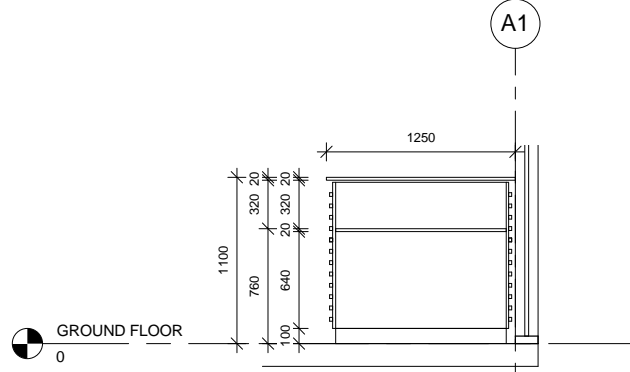
1 SEATING - JOINERY PLAN  
1 : 20



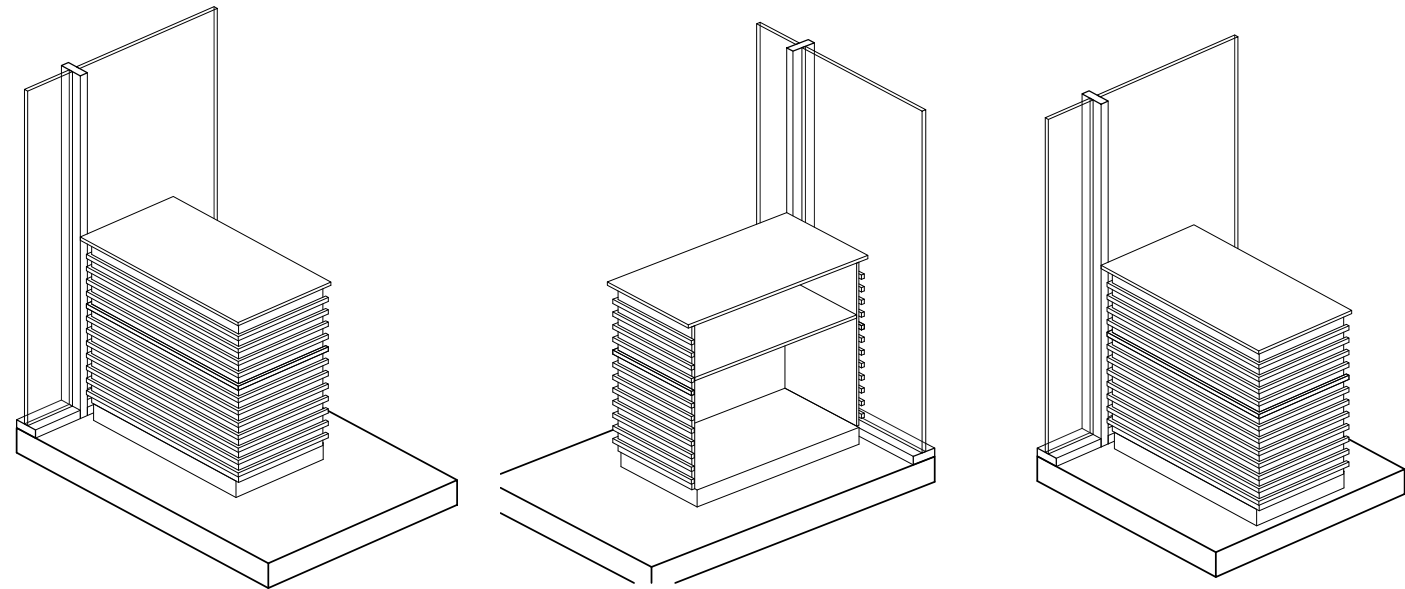
2 SEATING - SECTION A  
1 : 20



6 POS - PLAN  
1 : 20



7 POS - ELEVATION A  
1 : 25



**G&K PROJECTS**  
DESIGN-CONSTRUCT

COPYRIGHT  
ALL RIGHTS RESERVED. THIS WORK IS COPYRIGHT AND CANNOT BE REPRODUCED OR COPIED BY ANY MEANS WITHOUT THE WRITTEN PERMISSION OF Y-ENTERPRISES PTY LTD. ANY LICENSE, EXPRESS OR IMPLIED, TO USE THIS DOCUMENT FOR ANY PURPOSE WHATSOEVER IS RESTRICTED TO THE TERMS OF THE AGREEMENT BETWEEN Y-ENTERPRISES PTY LTD AND THE INSTRUCTING PARTY.

GENERAL NOTES  
USE FIGURED DIMENSIONS IN PREFERENCE TO SCALED.  
BUILDER TO CHECK ALL DIMENSIONS ON SITE PRIOR TO FABRICATION AND BEFORE SET-OUT.  
REFER ANY DISCREPANCIES TO THE ARCHITECT.

CLIENT  
**NUNDAH WELLNESS CENTRE**

PROJECT LOCATION  
**1220 SANDGATE ROAD, NUNDAH**

**Y-ENTERPRISES**

Y-Enterprises Pty Ltd  
true BIM | architecture | commercial | residential

P: (07) 38441401 ACN: 160 879 747  
W: www.y-enterprises.com ADR: 85 Victoria St West End  
E: info@y-enterprises.com 4101, QLD Australia

Copyright © 2012 Y-Enterprises PTY LTD / All Rights Reserved

PROJECT TITLE  
**SUSHI TRAIN - FIT-OUT**

DRAWING TITLE  
**JOINERY DETAILS - SHEET 1**

DATE 19.01.14 PROJECT NO. 1009  
SCALE As indicated DRAWING NO. 170  
DRAWN K.LINDERBOOM ISSUE B

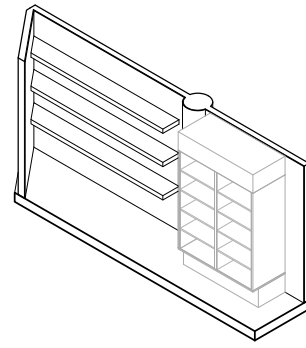
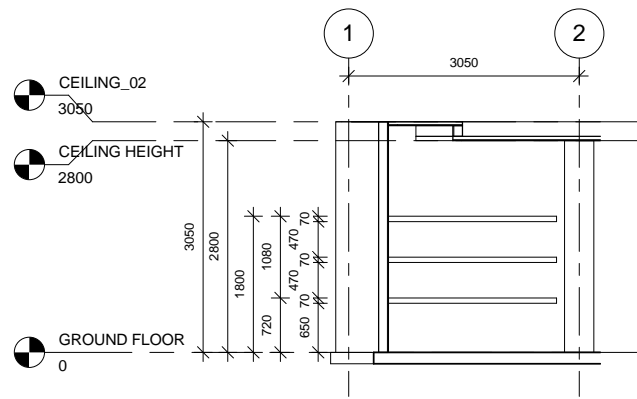
REV	DATE	DRAWN	REVD	APPD	REVISION	REV	DATE	DRAWN	REVD	APPD	REVISION
01	23.12.13	PVS	KL	PVS	DESIGN REVIEW - ISSUE A						
01	19.01.14	KL	PVS	KL	APPROVED DESIGN - ISSUE B						
02	23.01.14	KL	PVS	KL	APPROVED DESIGN - ISSUE B						
03	28.01.14	KL	PVS	KL	APPROVED DESIGN - ISSUE B						

APPROVED DESIGN

170

ISSUE B

30/01/2014 9:56:36 AM



1 SECTION - SHELVING UNIT (POS)  
1 : 50

**COPYRIGHT G & K PROJECTS PTY LTD:**  
THIS DRAWING IS THE PROPERTY OF G & K PROJECTS PTY LTD. COPYRIGHT IS RESERVED BY THEM AND THE DRAWING ISSUED ON THE CONDITION IT IS NOT COPIED, REPRODUCED, RETAINED OR DISCLOSED TO ANY UNAUTHORISED PERSON OR COMPANY, EITHER WHOLLY OR IN PART WITHOUT THE CONSENT IN WRITING OF G & K PROJECTS PTY LTD. THE USE OF THIS DRAWING FOR CONSTRUCTION WITHOUT THE ABOVE CONSENT IS AN OFFENCE AND LEGAL ACTION WILL / COULD BE TAKEN SHOULD THIS TAKE PLACE.

- NOTES:**
- BUILDER TO CHECK ALL DIMENSIONS ON SITE
  - REFER TO STRUCTURAL ENG FOR LOAD BEARING WALL SIZES AND FOUNDATION SIZES (FLOOR SLABS SHOWN INDICATIVELY)
  - REFER TO HYDRAULIC ENG FOR DRAINAGE PLACEMENT
  - ALL PRODUCTS TO MANUFACTURERS SPECIFICATIONS AND INSTALLATION DETAILS
  - BUILDER/ ELECTRICIAN TO CONFIRM LIGHTING LAYOUT AND RELOCATIONS ON SITE
  - BUILDER TO CONFIRM PLACEMENT OF AIR-CONDITIONING DUCTS/ VENTS AND UNITS. CHECK ON SITE
  - REFER TO DOOR MANUFACTURER FOR ALL DOOR DETAILS INCLUDING GLASS/ STEEL FRAME.
  - DOOR SELECTION TO BE CONFIRMED BY CLIENT
  - CONFIRM ALL FINISHES WITH CLIENT
  - BUILDER TO CONFIRM SHOPFRONT ANGLE AND DIMENSIONS ON SITE
  - SPEAKERS AND SECURITY CAMERAS TO BE INSTALLED BY OTHERS

**NOTE:- ALL PRODUCTS TO MANUFACTURERS SPECIFICATIONS & INSTALLATION DETAILS**

TF_01	R11 - 300 X 600 LIGHT GREY VITRIFIED TILES
TF_02	R10 - 300 X 600 LIGHT GREY VITRIFIED TILES
CB_01	TIMBER FINISH - BENCH
SB	STAINLESS STEEL BENCH - TO MANUFACTURERS DETAILS
PF_01	BLACK LOW SHEEN WALL PAINT FINISH (W/ SUPER GRAPHIC)
PF_02	WHITE LOW SHEEN WALL PAINT FINISH
WT_01	200 X 100 TILES - WHITE SATIN FINISH LAYED IN BOND BRICK FASHION
	SUSHI TRAIN
(RTM)	REFER TO MANUFACTURER

**COPYRIGHT**  
ALL RIGHTS RESERVED. THIS WORK IS COPYRIGHT AND CANNOT BE REPRODUCED OR COPIED BY ANY MEANS WITHOUT THE WRITTEN PERMISSION OF Y-ENTERPRISES PTY LTD. ANY LICENSE, EXPRESS OR IMPLIED, TO USE THIS DOCUMENT FOR ANY PURPOSE WHATSOEVER IS RESTRICTED TO THE TERMS OF THE AGREEMENT BETWEEN Y-ENTERPRISES PTY LTD AND THE INSTRUCTING PARTY.

**GENERAL NOTES**  
USE FIGURED DIMENSIONS IN PREFERENCE TO SCALED.  
BUILDER TO CHECK ALL DIMENSIONS ON SITE PRIOR TO FABRICATION AND BEFORE SET-OUT.  
REFER ANY DISCREPANCIES TO THE ARCHITECT.

**CLIENT**  
NUNDAH WELLNESS CENTRE

**PROJECT LOCATION**  
1220 SANDGATE ROAD, NUNDAH

**Y-ENTERPRISES**  
Y-Enterprises Pty Ltd  
true BIM | architecture | commercial | residential

P: (07) 38441401 ACN: 160 879 747  
W: www.y-enterprises.com ADR: 85 Victoria St West End  
E: info@y-enterprises.com 4101, QLD Australia

Copyright © 2012 Y-Enterprises PTY LTD / All Rights Reserved

**PROJECT TITLE**  
SUSHI TRAIN - FIT-OUT

**DRAWING TITLE**  
JOINERY DETAILS - SHEET 2

DATE 19.01.14 PROJECT NO. 1009  
SCALE 1:50 DRAWING NO. 171  
DRAWN K.LINDERBOOM ISSUE B

REV	DATE	DRAWN	REV'D	APP'D	REVISION	REV	DATE	DRAWN	REV'D	APP'D	REVISION
01	23.12.13	PVS	KL	PVS	DESIGN REVIEW - ISSUE A						
01	19.01.14	KL	PVS	KL	APPROVED DESIGN - ISSUE B						
02	23.01.14	KL	PVS	KL	APPROVED DESIGN - ISSUE B						
03	28.01.14	KL	PVS	KL	APPROVED DESIGN - ISSUE B						

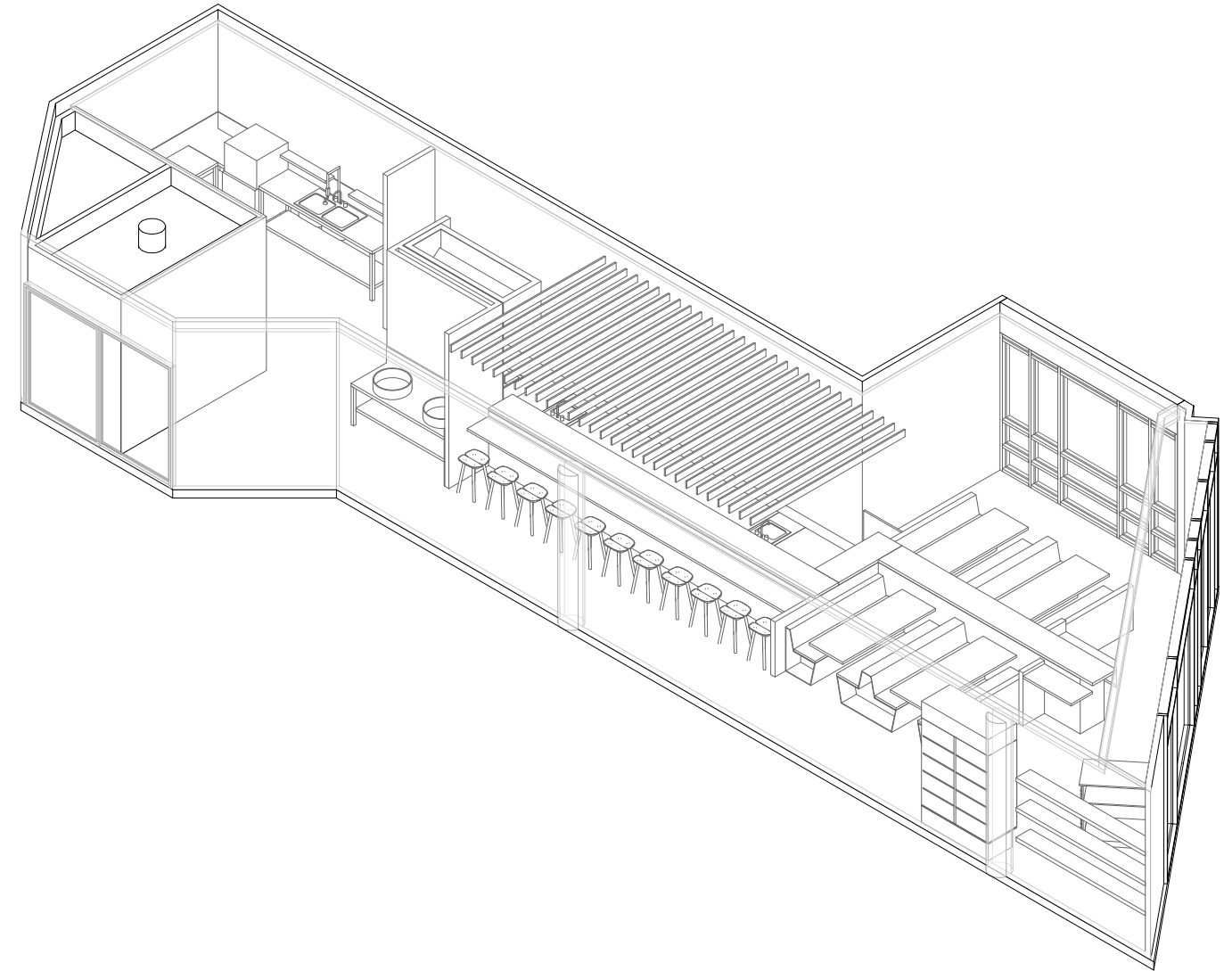
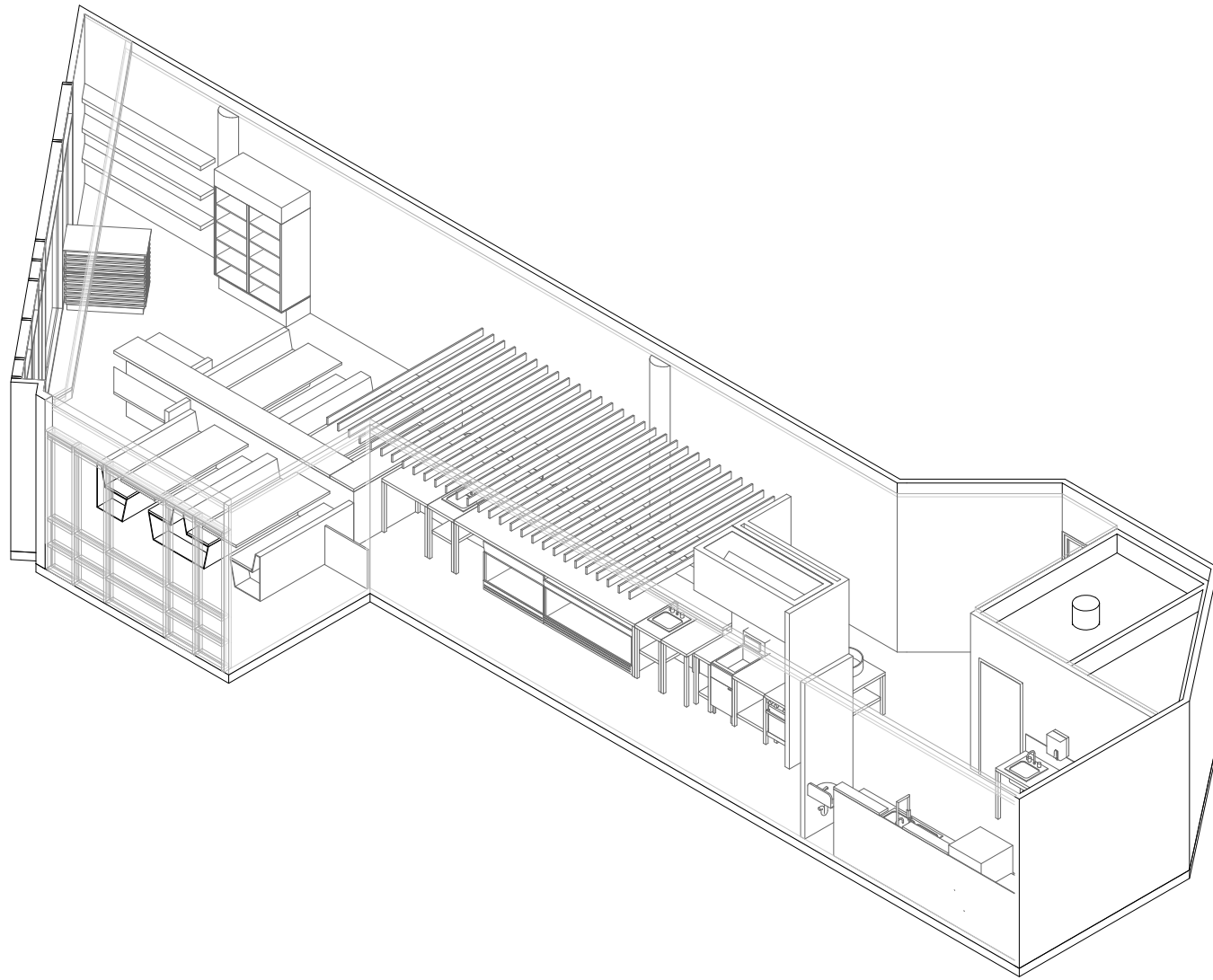
APPROVED DESIGN

171

ISSUE B

30/01/2014 9:56:36 AM





APPROVED DESIGN

**OK PROJECTS** DESIGN & CONSTRUCTION

**COPYRIGHT**  
 ALL RIGHTS RESERVED. THIS WORK IS COPYRIGHT AND CANNOT BE REPRODUCED OR COPIED BY ANY MEANS WITHOUT THE WRITTEN PERMISSION OF Y-ENTERPRISES PTY LTD. ANY VARIANCE, EXPRESS OR IMPLIED, TO USE THIS DOCUMENT FOR ANY PURPOSE WHATSOEVER IS RESTRICTED TO THE TERMS OF THE AGREEMENT BETWEEN Y-ENTERPRISES PTY LTD AND THE INSTRUCTING PARTY.

**GENERAL NOTES**  
 USE FIGURED DIMENSIONS IN PREFERENCE TO SCALED.  
 BUILDER TO CHECK ALL DIMENSIONS ON SITE PRIOR TO FABRICATION AND BEFORE SETOUT.  
 REFER ANY DISCREPANCIES TO THE ARCHITECT.

**CLIENT**  
 NUNDAH WELLNESS CENTRE

**PROJECT LOCATION**  
 1220 SANDGATE ROAD, NUNDAH

**Y-ENTERPRISES**

**Y-Enterprises Pty Ltd**  
 true BIM | architecture | commercial | residential

**P:** (07) 38441401    **ACN:** 160 879 747  
**W:** www.y-enterprises.com    **ADR:** 85 Victoria St West End  
**E:** info@y-enterprises.com    **4101, QLD Australia**

Copyright © 2012 Y-Enterprises PTY LTD / All Rights Reserved

**PROJECT TITLE**  
 SUSHI TRAIN - FIT-OUT

**DRAWING TITLE**  
 3D VIEWS

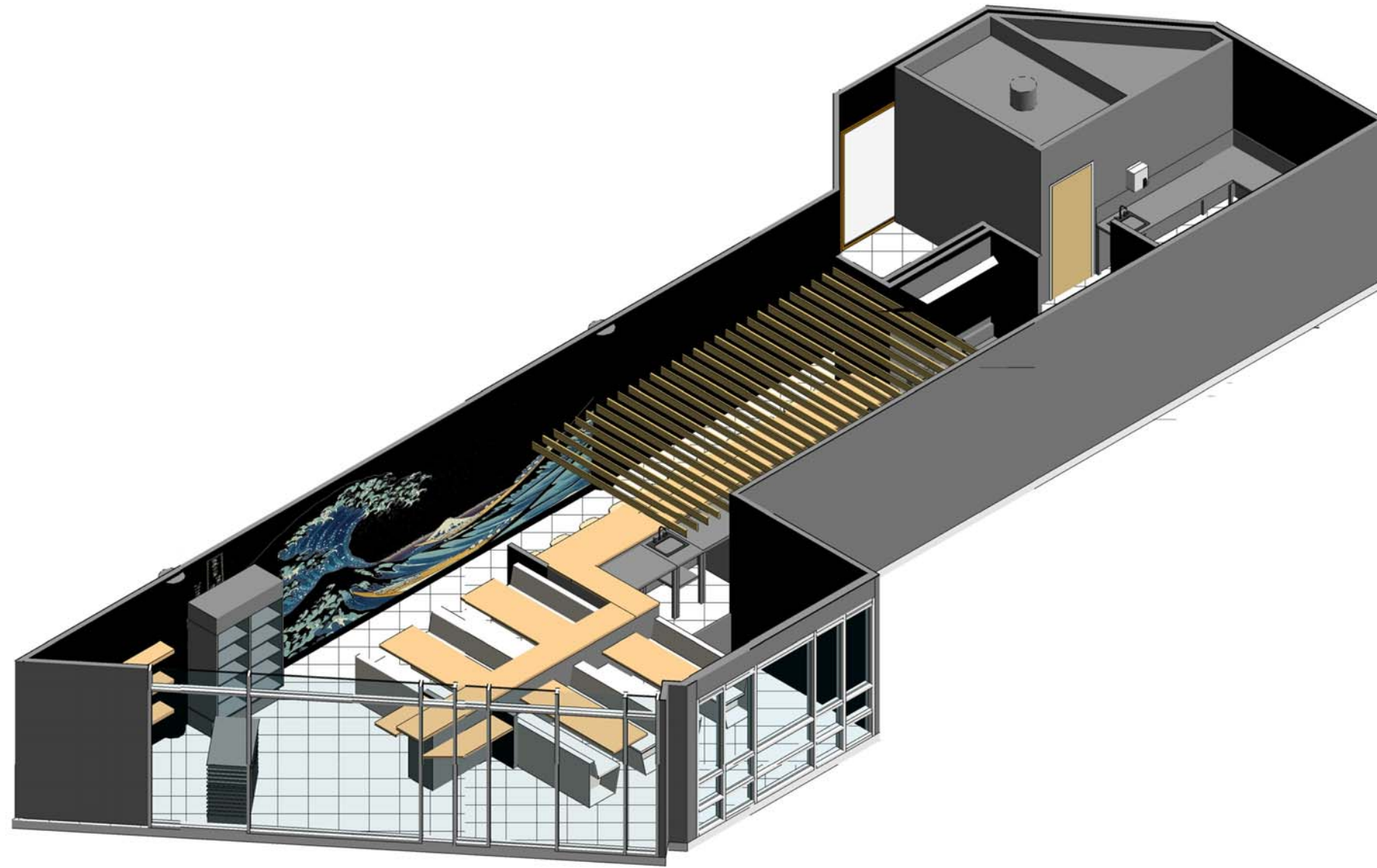
**DATE:** 19.01.14    **PROJECT NO.:** 1009  
**SCALE:**    **DRAWING NO.:** 190  
**DRAWN:** K.LINDERBOOM    **ISSUE:** B

REV	DATE	DRAWN	REV'D	APP'D	REVISION	REV	DATE	DRAWN	REV'D	APP'D	REVISION
01	23.12.13	PVS	KL	PVS	DESIGN REVIEW - ISSUE A						
01	19.01.14	KL	PVS	KL	APPROVED DESIGN - ISSUE B						
02	23.01.14	KL	PVS	KL	APPROVED DESIGN - ISSUE B						
03	28.01.14	KL	PVS	KL	APPROVED DESIGN - ISSUE B						

**190**

ISSUE B

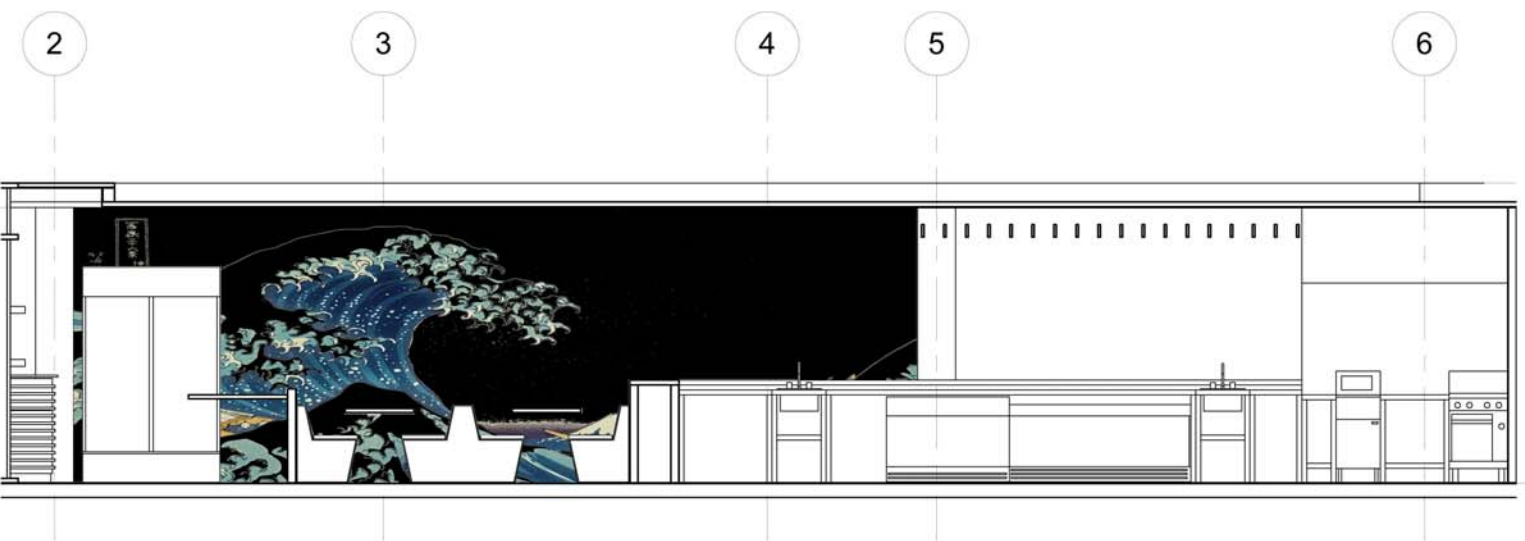
30/01/2014 9:56:37 AM



COPYRIGHT G & K PROJECTS PTY LTD.  
 THIS DRAWING IS THE PROPERTY OF G & K PROJECTS PTY LTD. COPYRIGHT IS RESERVED BY THEM AND THE DRAWING ISSUED ON THE CONDITION IT IS NOT COPIED, REPRODUCED, RETAINED OR DISCLOSED TO ANY UNAUTHORISED PERSON OR COMPANY, EITHER WHOLLY OR IN PART WITHOUT THE CONSENT IN WRITING OF G & K PROJECTS PTY LTD. THE USE OF THIS DRAWING FOR CONSTRUCTION WITHOUT THE ABOVE CONSENT IS AN OFFENCE AND LEGAL ACTION WILL / COULD BE TAKEN SHOULD THIS TAKE PLACE.

- NOTES:
- BUILDER TO CHECK ALL DIMENSIONS ON SITE
  - REFER TO STRUCTURAL ENG FOR LOAD BEARING WALL SIZES AND FOUNDATION SIZES (FLOOR SLABS SHOWN INDICATIVELY)
  - REFER TO HYDRAULIC ENG FOR DRAINAGE PLACEMENT
  - ALL PRODUCTS TO MANUFACTURERS SPECIFICATIONS AND INSTALLATION DETAILS
  - BUILDER/ ELECTRICIAN TO CONFIRM LIGHTING LAYOUT AND RELOCATIONS ON SITE
  - BUILDER TO CONFIRM PLACEMENT OF AIR-CONDITIONING DUCTS/ VENTS AND UNITS. CHECK ON SITE
  - REFER TO DOOR MANUFACTURER FOR ALL DOOR DETAILS INCLUDING GLASS/ STEEL FRAME.
  - DOOR SELECTION TO BE CONFIRMED BY CLIENT
  - CONFIRM ALL FINISHES WITH CLIENT
  - BUILDER TO CONFIRM SHOPFRONT ANGLE AND DIMENSIONS ON SITE
  - SPEAKERS AND SECURITY CAMERAS TO BE INSTALLED BY OTHERS

SUPER GRAPHIC/ SIGNAGE  
 NOTE: SUPER GRAPHIC AND SIGNAGE IS FOR ILLUSTRATION PURPOSES ONLY. PLEASE REFER TO SIGNAGE CONSULTANT FOR FINAL GRAPHIC AND DISPLAY (INCLUDING ALL DIMENSIONS AND PLACEMENT).



- CEILING\_02  
3050
- CEILING HEIGHT  
2800

GROUND FLOOR  
0

**G&K PROJECTS** DESIGN-CONSTRUCT

**COPYRIGHT**  
 ALL RIGHTS RESERVED. THIS WORK IS COPYRIGHT AND CANNOT BE REPRODUCED OR COPIED BY ANY MEANS WITHOUT THE WRITTEN PERMISSION OF Y-ENTERPRISES PTY LTD. ANY VARIANCE, EXPRESS OR IMPLIED, TO USE THIS DOCUMENT FOR ANY PURPOSE WHATSOEVER IS RESTRICTED TO THE TERMS OF THE AGREEMENT BETWEEN Y-ENTERPRISES PTY LTD AND THE INSTRUCTING PARTY.

**GENERAL NOTES**  
 USE FIGURED DIMENSIONS IN PREFERENCE TO SCALED.  
 BUILDER TO CHECK ALL DIMENSIONS ON SITE PRIOR TO FABRICATION AND BEFORE SET-OUT.  
 REFER ANY DISCREPANCIES TO THE ARCHITECT.

CLIENT  
**NUNDAH WELLNESS CENTRE**

PROJECT LOCATION  
**1220 SANDGATE ROAD, NUNDAH**

**Y-ENTERPRISES**

**Y-Enterprises Pty Ltd**  
 true BIM | architecture | commercial | residential

P: (07) 38441401 ACN: 160 879 747  
 W: www.y-enterprises.com ADR: 85 Victoria St West End  
 E: info@y-enterprises.com 4101, QLD Australia

Copyright © 2012 Y-Enterprises PTY LTD / All Rights Reserved

PROJECT TITLE  
**SUSHI TRAIN - FIT-OUT**

DRAWING TITLE  
**SUPER GRAPHIC - ILLUSTRATION**

DATE 19.01.14 PROJECT NO. 1009  
 SCALE 1:50 DRAWING NO. 191  
 DRAWN K.LINDERBOOM ISSUE B

REV	DATE	DRAWN	REV'D	APP'D	REVISION
01	23.12.13	PVS	KL	PVS	DESIGN REVIEW - ISSUE A
01	19.01.14	KL	PVS	KL	APPROVED DESIGN - ISSUE B
02	23.01.14	KL	PVS	KL	APPROVED DESIGN - ISSUE B
03	28.01.14	KL	PVS	KL	APPROVED DESIGN - ISSUE B

APPROVED DESIGN

191  
 ISSUE B

30/01/2014 9:56:39 AM





COPYRIGHT G & K PROJECTS PTY LTD:  
 THIS DRAWING IS THE PROPERTY OF G & K PROJECTS PTY LTD. COPYRIGHT IS RESERVED BY THEM AND THE DRAWING ISSUED ON THE CONDITION IT IS NOT COPIED, REPRODUCED, RETAINED OR DISCLOSED TO ANY UNAUTHORISED PERSON OR COMPANY. EITHER WHOLLY OR IN PART WITHOUT THE CONSENT IN WRITING OF G & K PROJECTS PTY LTD. THE USE OF THIS DRAWING FOR CONSTRUCTION WITHOUT THE ABOVE CONSENT IS AN OFFENCE AND LEGAL ACTION WILL / COULD BE TAKEN SHOULD THIS TAKE PLACE.

- NOTES:
- BUILDER TO CHECK ALL DIMENSIONS ON SITE
  - REFER TO STRUCTURAL ENG FOR LOAD BEARING WALL SIZES AND FOUNDATION SIZES (FLOOR SLABS SHOWN INDICATIVELY)
  - REFER TO HYDRAULIC ENG FOR DRAINAGE PLACEMENT
  - ALL PRODUCTS TO MANUFACTURERS SPECIFICATIONS AND INSTALLATION DETAILS
  - BUILDER/ ELECTRICIAN TO CONFIRM LIGHTING LAYOUT AND RELOCATIONS ON SITE
  - BUILDER TO CONFIRM PLACEMENT OF AIR-CONDITIONING DUCTS/ VENTS AND UNITS. CHECK ON SITE
  - REFER TO DOOR MANUFACTURER FOR ALL DOOR DETAILS INCLUDING GLASS/ STEEL FRAME.
  - DOOR SELECTION TO BE CONFIRMED BY CLIENT
  - CONFIRM ALL FINISHES WITH CLIENT
  - BUILDER TO CONFIRM SHOPFRONT ANGLE AND DIMENSIONS ON SITE
  - SPEAKERS AND SECURITY CAMERAS TO BE INSTALLED BY OTHERS

SUPER GRAPHIC/ SIGNAGE  
 NOTE: SUPER GRAPHIC AND SIGNAGE IS FOR ILLUSTRATION PURPOSES ONLY. PLEASE REFER TO SIGANCE CONSULTANT FOR FINAL GRAPHIC AND DISPLAY (INCLUDING ALL DIMENSIONS AND PLACEMENT).

APPROVED DESIGN

**G&K PROJECTS**  
 DESIGN-CONSTRUCT

**COPYRIGHT**  
 ALL RIGHTS RESERVED. THIS WORK IS COPYRIGHT AND CANNOT BE REPRODUCED OR COPIED BY ANY MEANS WITHOUT THE WRITTEN PERMISSION OF Y-ENTERPRISES PTY LTD. ANY LICENSE, EXPRESS OR IMPLIED, TO USE THIS DOCUMENT FOR ANY PURPOSE WHATSOEVER IS RESTRICTED TO THE TERMS OF THE AGREEMENT BETWEEN Y-ENTERPRISES PTY LTD AND THE INSTRUCTING PARTY.

**GENERAL NOTES**  
 USE FIGURED DIMENSIONS IN PREFERENCE TO SCALED.  
 BUILDER TO CHECK ALL DIMENSIONS ON SITE PRIOR TO FABRICATION AND BEFORE SET-OUT.  
 REFER ANY DISCREPANCIES TO THE ARCHITECT.

CLIENT  
**NUNDAH WELLNESS CENTRE**

PROJECT LOCATION  
**1220 SANDGATE ROAD, NUNDAH**

**Y-ENTERPRISES**  
 Y-Enterprises Pty Ltd  
 true BIM | architecture | commercial | residential

P: (07) 38441401 ACN: 160 879 747  
 W: www.y-enterprises.com ADR: 85 Victoria St West End  
 E: info@y-enterprises.com 4101, QLD Australia

Copyright © 2012 Y-Enterprises PTY LTD / All Rights Reserved

PROJECT TITLE  
**SUSHI TRAIN - FIT-OUT**

DRAWING TITLE  
**SIGNAGE - ILLUSTRATION**

DATE 19.01.14 PROJECT NO. 1009  
 SCALE 1:50 DRAWING NO. 192  
 DRAWN K.LINDERBOOM ISSUE B

REV	DATE	DRAWN	REV'D	APP'D	REVISION	REV	DATE	DRAWN	REV'D	APP'D	REVISION
01	23.12.13	PVS	KL	PVS	DESIGN REVIEW - ISSUE A						
01	19.01.14	KL	PVS	KL	APPROVED DESIGN - ISSUE B						
02	23.01.14	KL	PVS	KL	APPROVED DESIGN - ISSUE B						
03	28.01.14	KL	PVS	KL	APPROVED DESIGN - ISSUE B						

**192**

ISSUE B

30/01/2014 9:56:40 AM